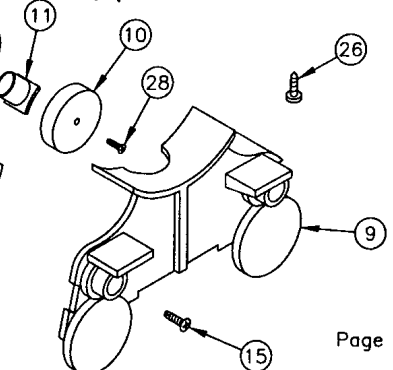
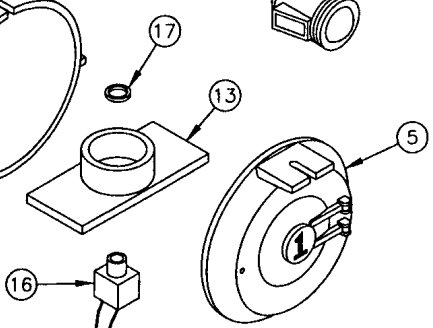
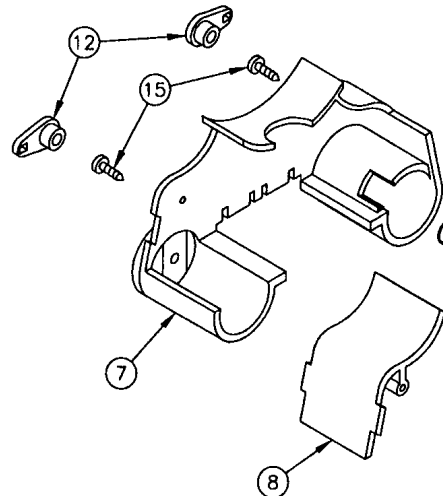
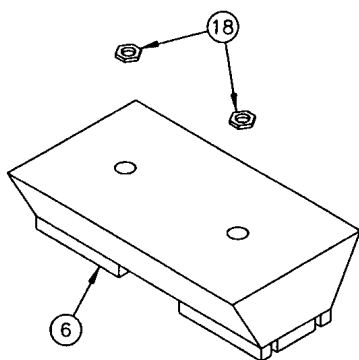
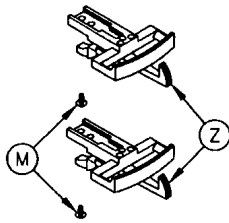
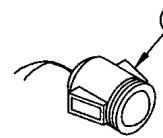
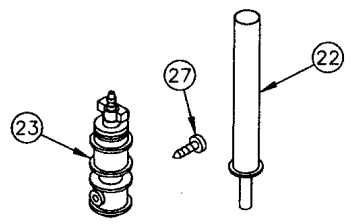
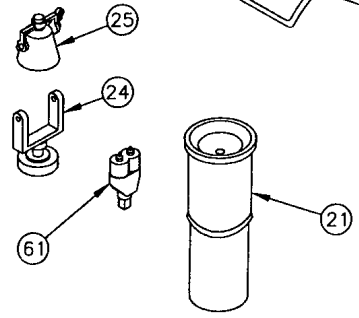
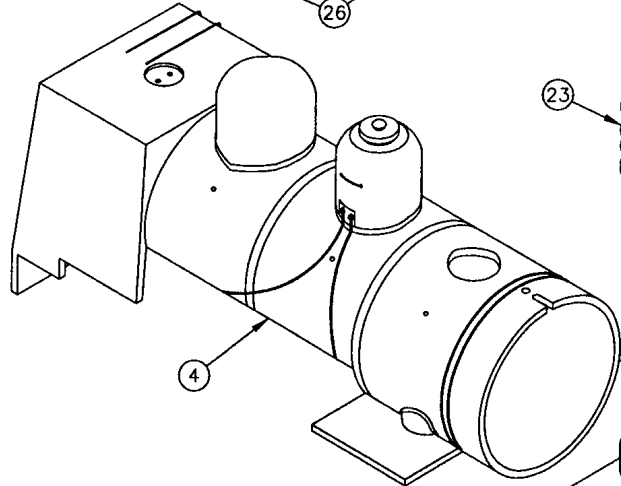
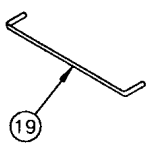
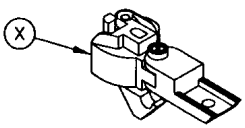
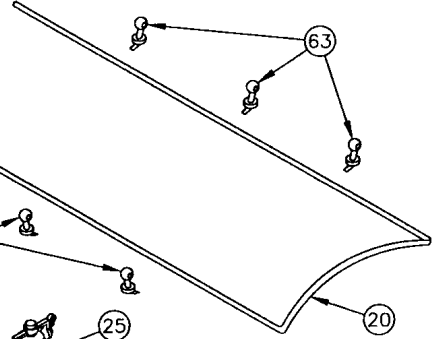
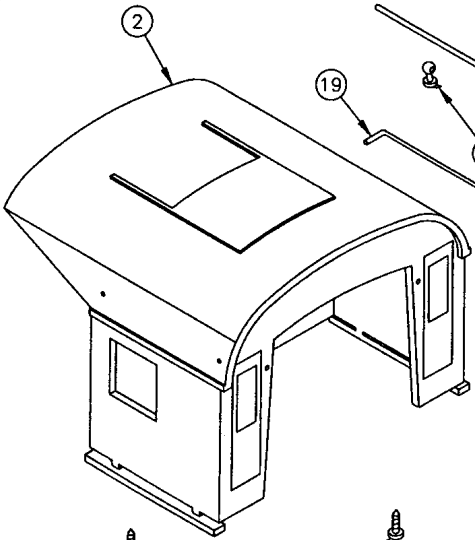
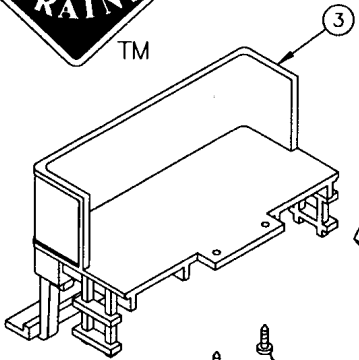




ART-21300 SERIES SWITCHER 0-4-0 LOCOMOTIVE ASSEMBLY INSTRUCTIONS

#1 Gauge 1:29 SCALE

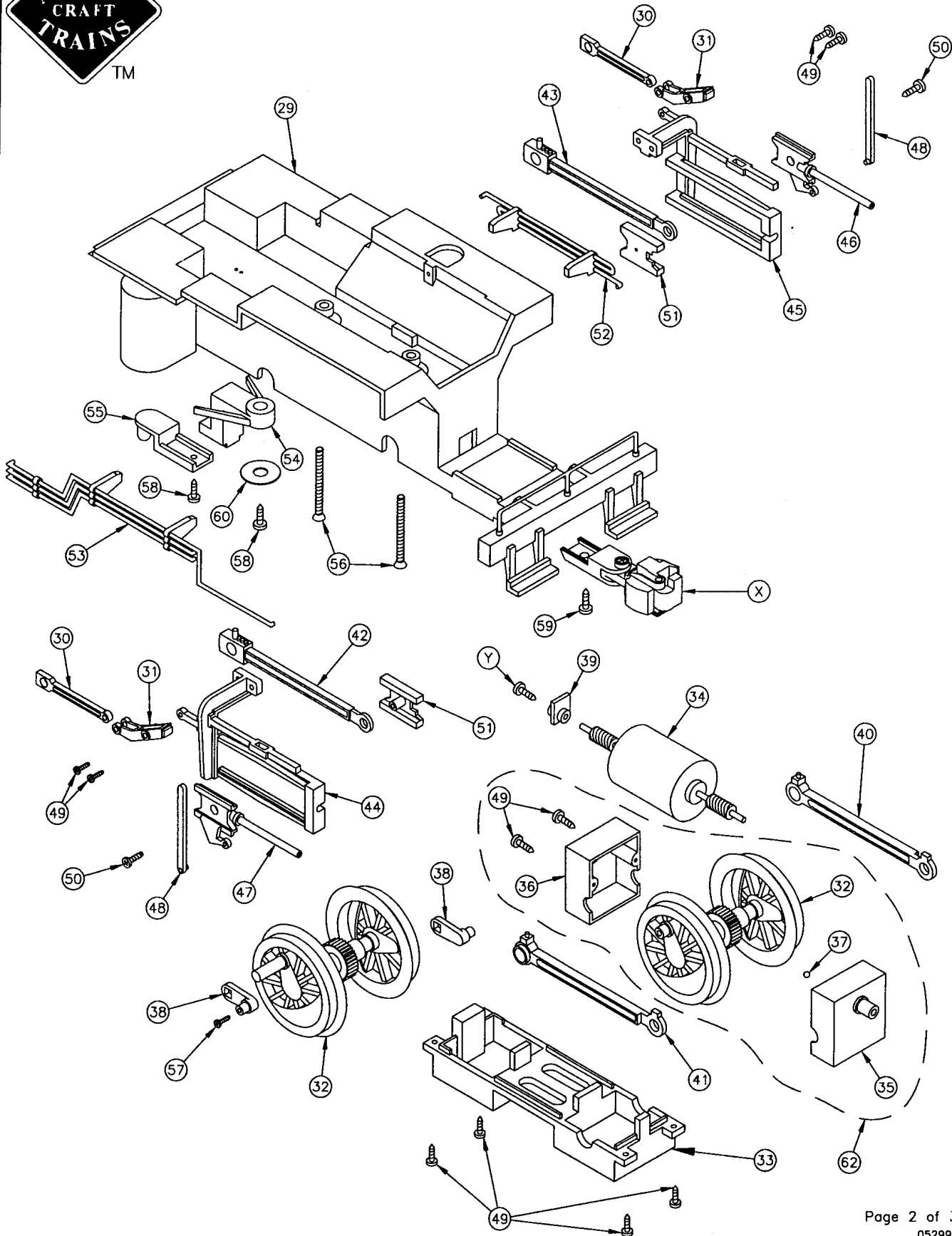




ART-21300 SERIES SWITCHER 0-4-0 LOCOMOTIVE

ASSEMBLY INSTRUCTIONS

#1 Gauge 1:29 SCALF



#1
Gauge

1:29
SCALE

ART-21300 SERIES SWITCHER 0-4-0 LOCOMOTIVE

PARTS LIST-ORDER FORM



SPECIFY ROADNAME/ART#: _____ Insert Quantity

Part #	Description *	Price	Quantity Ordered
① 21300-01	Instruction Manual		
② 213XX-02	Cab		
③ 213XX-03	Coal Bunker		
④ 213XX-04	Boiler and Firebox Assembly		
⑤ 213XX-05	Smokebox Front		
⑥ 213XX-06	Weight		
⑦ 213XX-07	Cylinder Assembly Rear		
⑧ 213XX-08	Cylinder Assembly Cover Mid		
⑨ 213XX-09	Cylinder Assembly Front		
⑩ 213XX-10	Smoke Pump		
⑪ 21300-11	Piston Rod Retainer		
⑫ 21300-12	Piston Rod Guide		
⑬ 21300-13	Smoke Unit Guide		
⑭ 21300-14	Headlight Assembly		
⑮ 21300-15	Retainer Screw		
⑯ 213XX-16	Smoke Unit Jack		
⑰ 213XX-17	Smoke Unit Jack Retainer Ring		
⑱ 21300-18	Hex Nut		
⑲ 21300-19	Cab Grab Iron		
⑳ 21300-20	Boiler Grabiron		
㉑ 21300-21	Smoke Stack		
㉒ 29306	Smoke Unit		
㉓ 21300-23	Air Pump		
㉔ 21300-24	Bell Harp		
㉕ 21300-25	Bell		
㉖ 21300-26	Screw		
㉗ 21300-27	Screw		
㉘ 21300-28	Screw		
㉙ 21300-29	Chassis		
㉚ 21300-30	Eccentric Rod		
㉛ 21300-31	Eccentric Arm		
㉜ 21300-32	Rear Drive Gear and Wheel Assembly		
㉝ 21300-33	Lower Motor Support		
㉞ 21300-34	Motor		
㉟ 21300-35	Foward Drive Wheel Gearbox Case (front)		
㊱ 21300-36	Foward Drive Wheel Gearbox Case (rear)		
㊲ 21300-37	Ball Bearing		
㊳ 21300-38	Eccentric Crank		
㊴ 21300-39	Rear Motor Mount		
㊵ 21300-40	Drive Rod Left		
㊶ 21300-41	Drive Rod Right		
㊷ 21300-42	Connecting Rod Right		
㊸ 21300-43	Connecting Rod Left		
㊹ 21300-44	Crosshead Slide Right		
㊺ 21300-45	Crosshead Slide Left		
㊻ 21300-46	Crosshead		
㊼ 21300-47	Crosshead		
㊽ 21300-48	Crosshead Bar		
㊾ 21300-49	Screw		
㊿ 21300-50	Screw		
① 21300-51	Crosshead Rear Assembly		
② 21300-52	Piping Left		
③ 21300-53	Piping Right		
④ 21300-54	Rear Coupler Centering Device		
⑤ 21300-55	Drawbar (Supplied with Slope Back Tender)		
⑥ 21300-56	Screw		
⑦ 21300-57	Screw		
⑧ 21300-58	Screw		
⑨ 21300-59	Screw		
⑩ 21300-60	Washer		
⑪ 21300-61	Whistle		
⑫ 21300-62	Foward Drive Wheel Gearbox Assembly		
⑬ 21300-63	Handrail Stanchion		
⑭ 29200-87	Mounting Screw		
⑮ 29200	Coupler-Knuckle (2 pcs.)		
⑯ 29101	Truck, Freight w/Plastic Wheels w/o coupler (pair)		
⑰ 29101-69	Plastic Loop/Hook Coupler (2 pcs.)		
⑱ 21300-99	Parts List-Order Form		

*one piece unless otherwise noted

RETURN THIS FORM WITH YOUR ORDER
 A REPLACEMENT FORM WILL BE SENT WITH YOUR ORDER

NOTE: When ordering replacement parts or repair request, please refer to proper 5 or 7 digit number listed. XX refers to last two digits of roadname ART Locomotive number when part is painted to match, i.e. ART-21309 SANTA FE. 21309-04 would then refer to BOILER for SANTA FE 0-4-0 SWITCHER LOCOMOTIVE ART-21309. If part is same FOR ALL 0-4-0 SWITCHER LOCOMOTIVES, 21309-plus 2 digit number would be used to denote specific part, i.e. 21309-46 Crosshead Left used on ALL 0-4-0 SWITCHER LOCOMOTIVES regardless of railroad name. When part is same FOR ALL 0-4-0 SWITCHER LOCOMOTIVES AND OTHER LOCOMOTIVES, 29200 (or other #-plus 2 digit number) would be used to denote specific part regardless of roadname/car type. Please specify roadname/ART# on line above part# list and always when ordering parts by phone/fax/letter.

Unpainted/painted part(s) will be substituted if the painted to match part(s) ordered are not available.
 In addition to Price Each shown please enclose...
 \$5.00 shipping/handling if part order is less than \$10.00 or \$10.00 shipping/handling if part order is \$10.00 or more.
 This is for part order only. Not WARRANTY order.

Include proper payment for parts plus shipping/handling with your (USA Bank Account Only) check/money order payable in US Dollars (\$) to: Polk's Hobbies. Please DO NOT SEND CASH. Sorry no C.O.D.'s for parts.

New Jersey residents add 6% NJ State Sales Tax.
 Be Sure to include your name, street address (no Post Office Box please), city, state (or province), country (if outside USA), and postal zip code, along with daytime phone number including Area Code, so that you may be contacted if necessary.

Mail order form and payment to:
 ARISTO-CRAFT TRAINS/Polk's Modelcraft Hobbies, Inc.
 698 South 21st Street
 Irvington, NJ 07111-4109 USA
 Allow 4-6 weeks for processing and delivery.

PLEASE PRINT CLEARLY
 NAME: _____
 ADDRESS _____
 CITY: _____ STATE: _____ ZIP _____
 PHONE: (_____) - _____ - _____