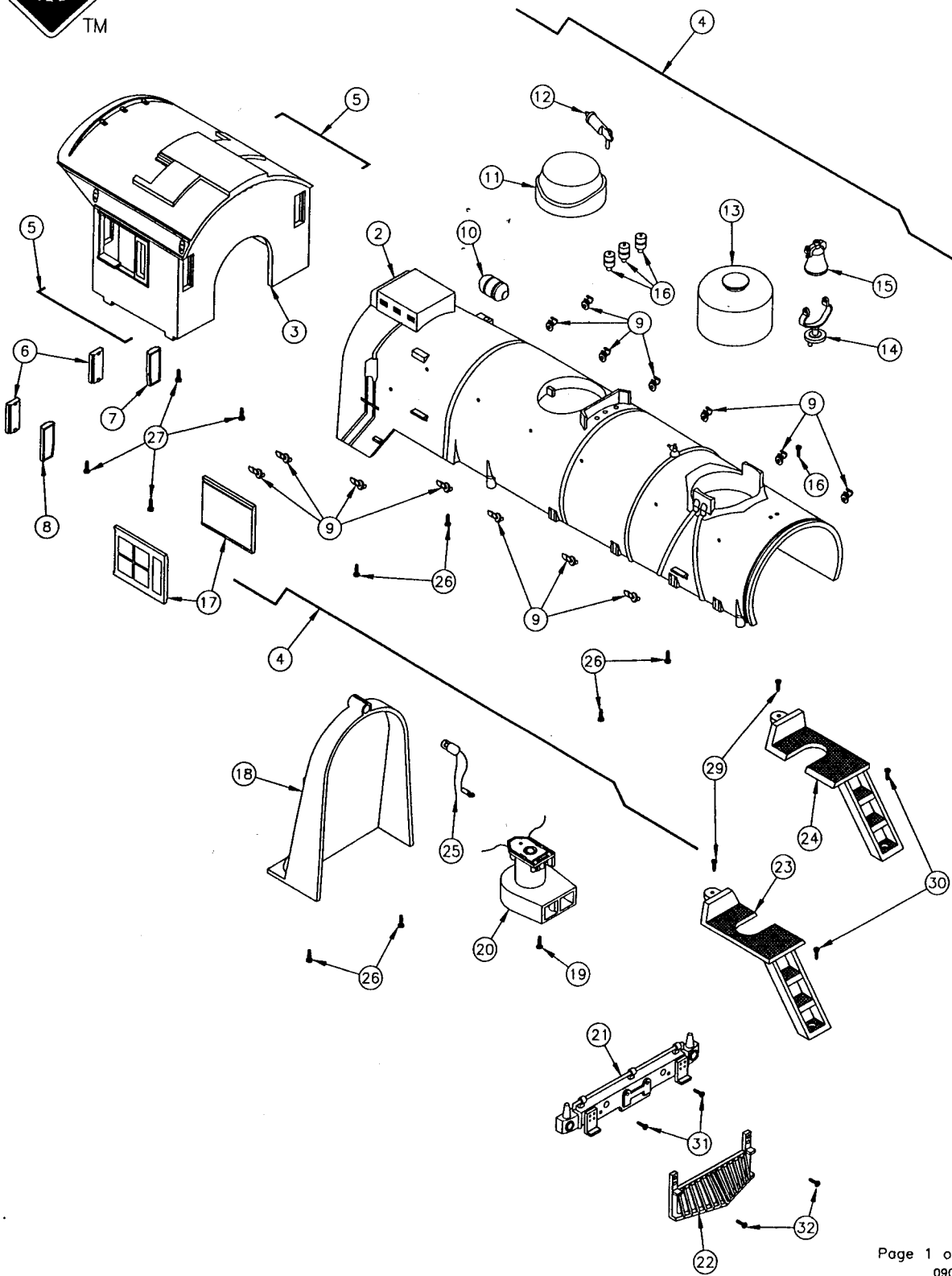




ART-21400 SERIES PACIFIC 4-6-2 STEAM LOCOMOTIVE

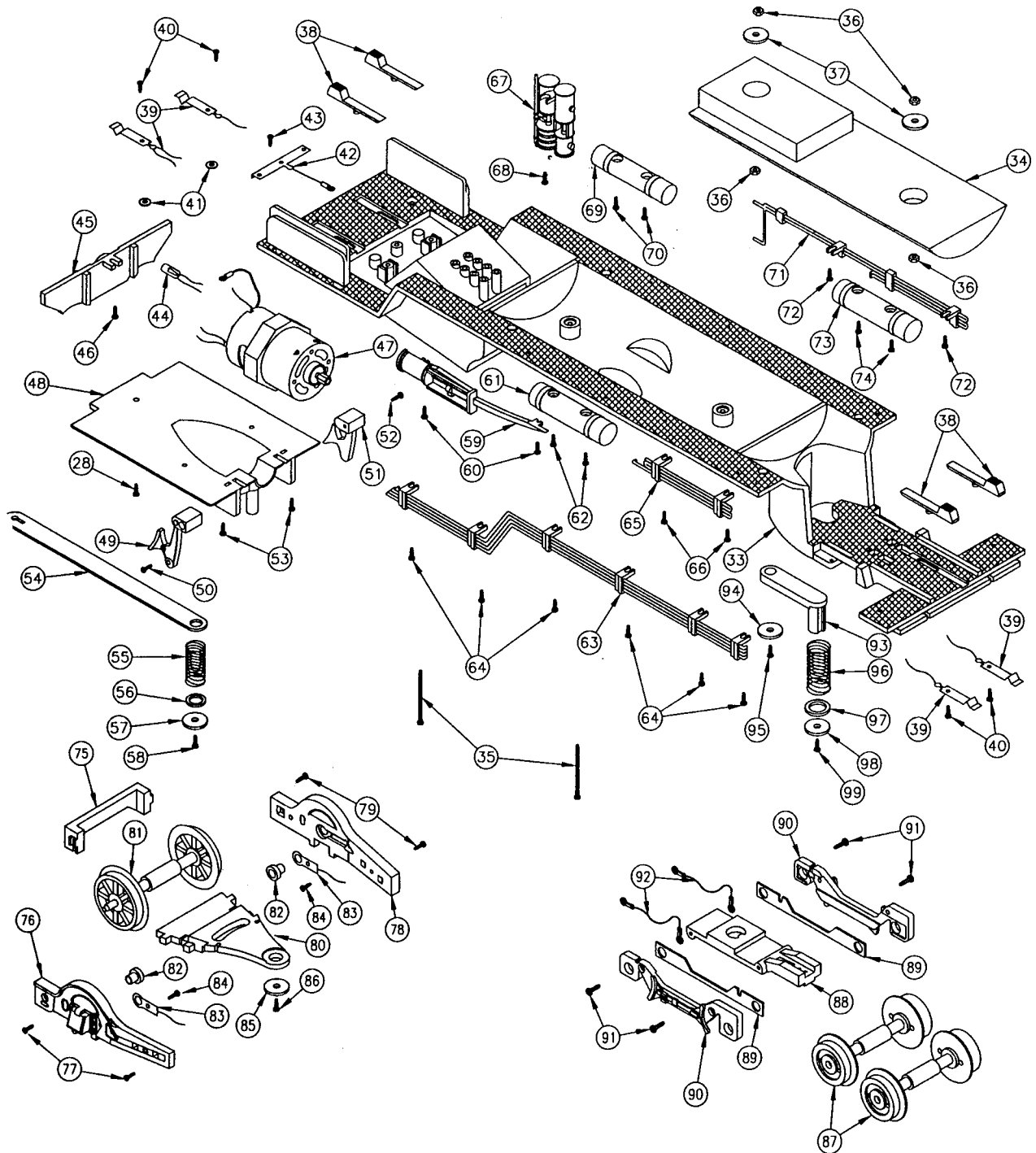
ASSEMBLY INSTRUCTIONS

1 Gauge
1:29 SCALE



ART-21400 SERIES PACIFIC 4-6-2 STEAM LOCOMOTIVE

ASSEMBLY INSTRUCTIONS

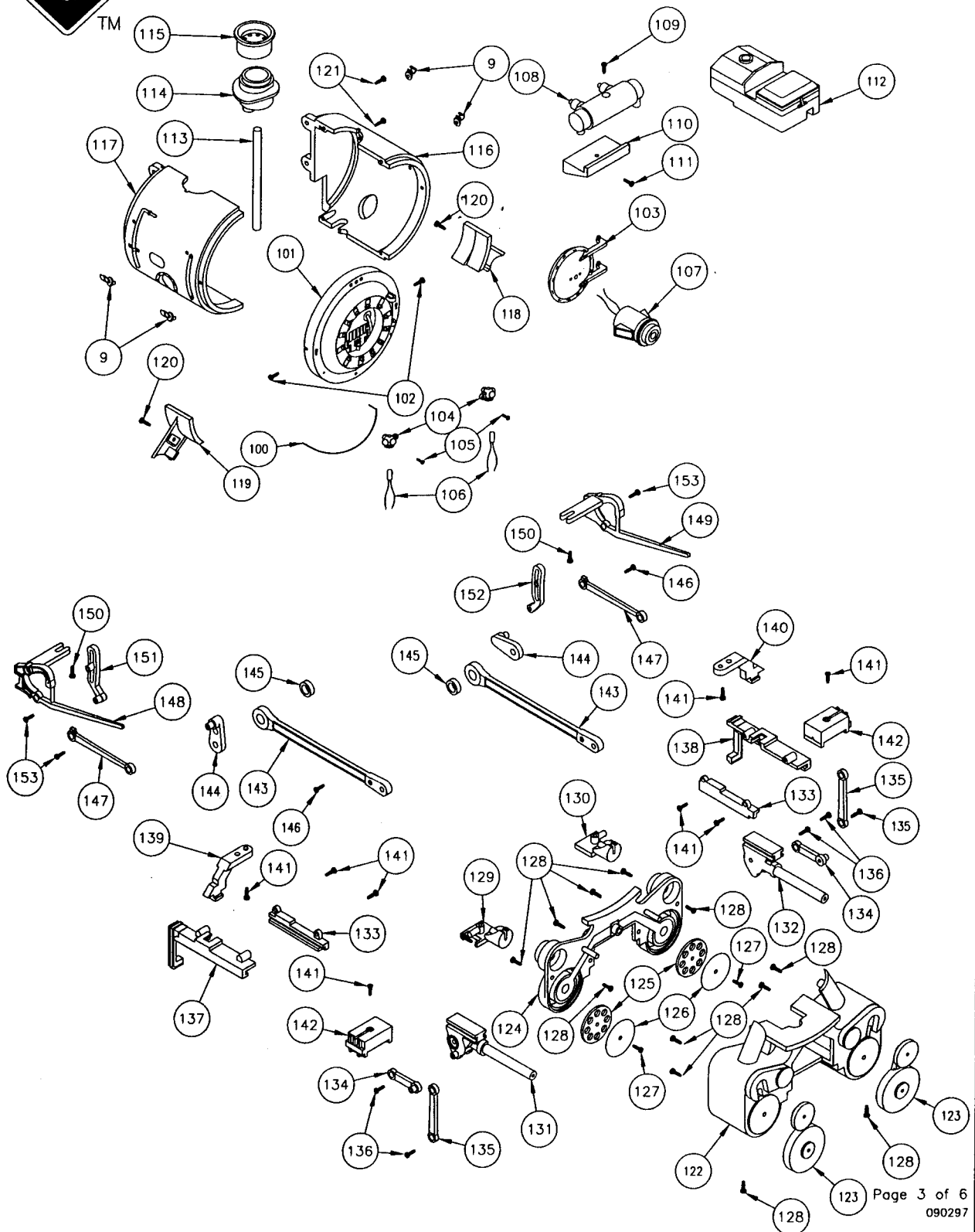




ART-21400 SERIES PACIFIC 4-6-2 STEAM LOCOMOTIVE

ASSEMBLY INSTRUCTIONS

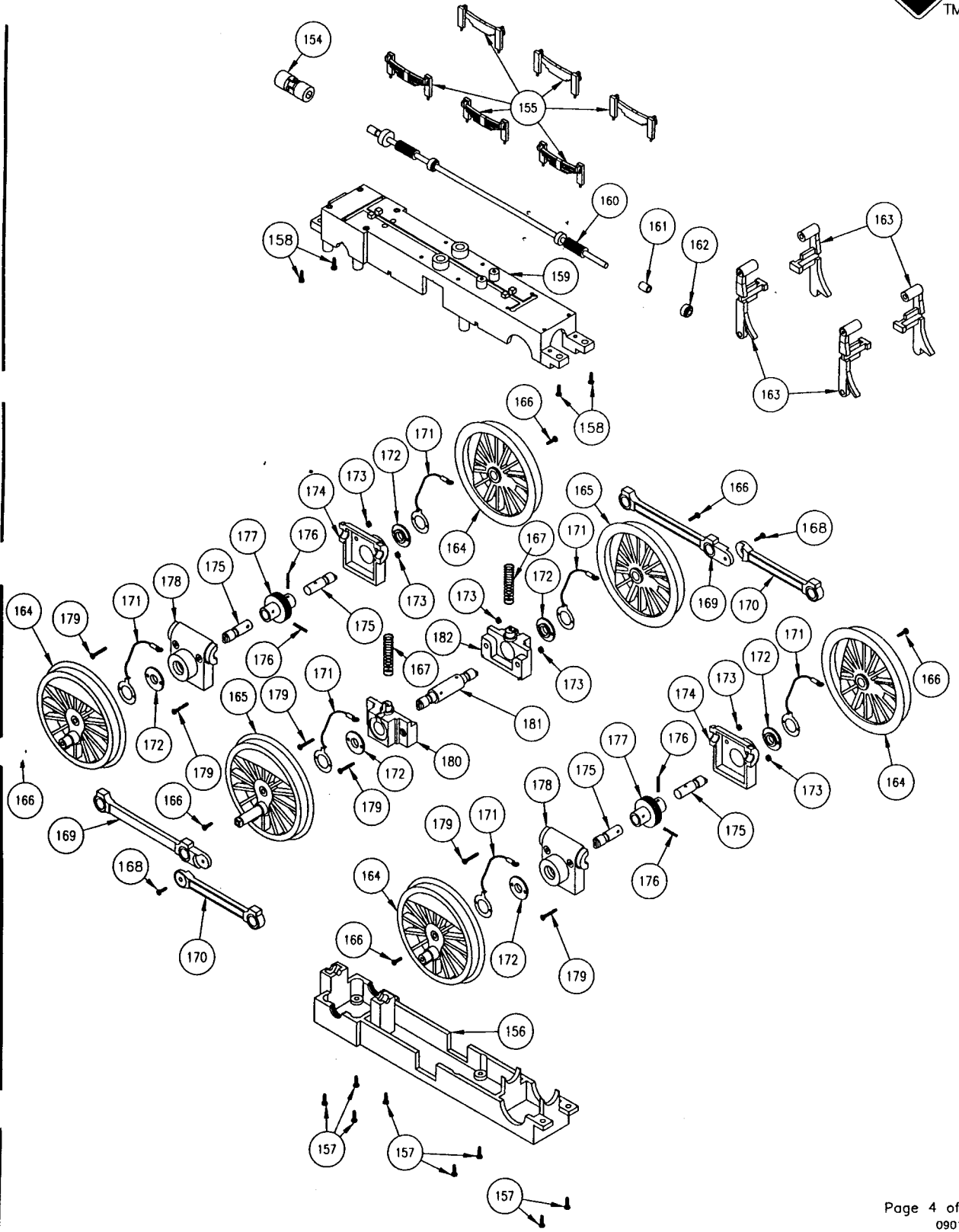
1 Gauge **1:29** SCALE



#1 Gauge 1:29 SCALE

ART-21400 SERIES PACIFIC 4-6-2 STEAM LOCOMOTIVE

ASSEMBLY INSTRUCTIONS



ART-21400 SERIES PACIFIC 4-6-2 STEAM LOCOMOTIVE

PARTS LIST-ORDER FORM



SPECIFY ROADNAME/ART#: _____ Insert Quantity

| Part # | Description * | Price | Quantity Ordered |
|--------|--|-------|------------------|
| 1 | 21400-01 Instruction Manual | | |
| 2 | 21400-02 Boiler Shell | | |
| 3 | 21400-03 Cab | | |
| 4 | 21400-04 Boiler Hand Rail | | |
| 5 | 21400-05 Cab Horizontal Hand Rail | | |
| 6 | 21400-06 Cab Rear Window | | |
| 7 | 21400-07 Cab Front Window L.H. | | |
| 8 | 21400-08 Cab Front Window R.H. | | |
| 9 | 21400-09 Hand Rail Stanchions | | |
| 10 | 21400-10 Generator | | |
| 11 | 21400-11 Steam Dome | | |
| 12 | 21400-12 Whistle | | |
| 13 | 21400-13 Sand Dome | | |
| 14 | 21400-14 Bell Harp | | |
| 15 | 21400-15 Bell | | |
| 16 | 21400-16 Smoke Box Retaining Screw | | |
| 17 | 21400-17 Cab Sliding Window | | |
| 18 | 21400-18 Fire Box | | |
| 19 | 21400-19 Smoke Fan Retainer Screw | | |
| 20 | 21400-20 Smoke Fan | | |
| 21 | 21400-21 Pilot Mount | | |
| 22 | 21400-22 Pilot | | |
| 23 | 21400-23 R.H. Front Step | | |
| 24 | 21400-24 L.H. Front Step | | |
| 25 | 21400-25 Cab Light | | |
| 26 | 21400-26 Boiler & Fire Box Mounting Screw | | |
| 27 | 21400-27 Cab Mounting Screw | | |
| 28 | 21400-28 Fire Box Mounting Screw | | |
| 29 | 21400-29 Front Step Upper Mounting Screw | | |
| 30 | 21400-30 Front Step Lower Mounting Screw | | |
| 31 | 21400-31 Pilot Mount Retaining Screw | | |
| 32 | 21400-32 Pilot Retaining Screw | | |
| 33 | 21400-33 Chassis | | |
| 34 | 21400-34 Weight Stack | | |
| 35 | 21400-35 Weight Stack Retaining Screw | | |
| 36 | 21400-36 Weight Stack Retaining Nut | | |
| 37 | 21400-37 Weight Stack Retaining Washer | | |
| 38 | 21400-38 On-Off Switch | | |
| 39 | 21400-39 On-Off Switch Contact | | |
| 40 | 21400-40 Contact Retainer Screw | | |
| 41 | 21400-41 Insulating Washer | | |
| 42 | 21400-42 Distribution Buss | | |
| 43 | 21400-43 Buss Retaining Screw | | |
| 44 | 21400-44 Fire Box Light | | |
| 45 | 21400-45 Cab Lower Support | | |
| 46 | 21400-46 Cab Lower Support Retaining Screw | | |
| 47 | 21400-47 Motor | | |
| 48 | 21400-48 Ash Pan | | |
| 49 | 21400-49 R.H. Rear Brake | | |
| 50 | 21400-50 Brake Retaining Screw | | |
| 51 | 21400-51 L.H. Rear Brake | | |
| 52 | 21400-52 Brake Retaining Screw | | |
| 53 | 21400-53 Ash Pan Retaining Screw | | |
| 54 | 21400-54 Draw Bar | | |
| 55 | 21400-55 Draw Bar Spring | | |
| 56 | 21400-56 Washer | | |
| 57 | 21400-57 Draw Bar Spring Retaining Washer | | |
| 58 | 21400-58 Draw Bar Retaining Screw | | |
| 59 | 21400-59 Power Reverse Actuator | | |
| 60 | 21400-60 Power Reverse Actuator Screw | | |
| 61 | 21400-61 R.H. Forward Air Tank | | |
| 62 | 21400-62 Air Tank Screw | | |
| 63 | 21400-63 R.H. Rear Piping | | |
| 64 | 21400-64 Piping Screw | | |
| 65 | 21400-65 R.H. Forward Piping | | |
| 66 | 21400-66 Piping Screw | | |
| 67 | 21400-67 Air Pump | | |
| 68 | 21400-68 Air Pump Retaining Screw | | |
| 69 | 21400-69 L.H. Rear Air Tank | | |
| 70 | 21400-70 Air Tank Upper Half | | |
| 71 | 21400-71 L.H. Piping | | |
| 72 | 21400-72 Piping Screw | | |
| 73 | 21400-73 L.H. Forward Air Tank | | |
| 74 | 21400-74 Air Tank Screw | | |
| 75 | 21400-75 Pony Truck Rear Support | | |
| 76 | 21400-76 R.H. Pony Truck Side Frame | | |
| 77 | 21400-77 R.H. Side Frame Screw | | |
| 78 | 21400-78 L.H. Pony Truck Side Frame | | |
| 79 | 21400-79 L.H. Side Frame Screw | | |
| 80 | 21400-80 Pony Truck Mid Support | | |
| 81 | 21400-81 Pony Truck Wheels | | |
| 82 | 21400-82 Brass Bushing | | |
| 83 | 21400-83 Electrical Eyelet | | |
| 84 | 21400-84 Eyelet Screw | | |
| 85 | 21400-85 Pony Truck Washer | | |
| 86 | 21400-86 Pony Truck Screw | | |
| 87 | 21400-87 Pilot Truck Wheels | | |
| 88 | 21400-88 Pilot Truck Mid Frame | | |

| Part # | Description * | Price | Quantity |
|--------|--|-------|----------|
| 89 | 21400-89 Pilot Truck Electrical Pick Up | | |
| 90 | 21400-90 Pilot Truck Side Frame | | |
| 91 | 21400-91 Side Frame Screw | | |
| 92 | 21400-92 Pilot Truck Wire Bundle | | |
| 93 | 21400-93 Pilot Pivot | | |
| 94 | 21400-94 Pilot Retainer Washer | | |
| 95 | 21400-80 Pilot Truck Spring | | |
| 96 | 21400-96 Spring | | |
| 97 | 21400-97 Spring Retainer Washer | | |
| 98 | 21400-98 Washer | | |
| 99 | 21400-99 Spring Retainer Washer Screw | | |
| 100 | 21400-100 Smoke Box Grab Iron | | |
| 101 | 21400-101 Smoke Box Front | | |
| 102 | 21400-102 Smoke Box Screw | | |
| 103 | 21400-103 Smoke Box Door | | |
| 104 | 21400-104 Marker Lights | | |
| 105 | 21400-105 Marker Light Screw | | |
| 106 | 21400-106 Marker Light Bulb | | |
| 107 | 21400-107 Head Light | | |
| 108 | 21400-108 Feed Water Heater (Where Applicable) | | |
| 109 | 21400-109 Feed Water Heater Screw | | |
| 110 | 21400-110 Name Plate (Where Applicable) | | |
| 111 | 21400-111 Name Plate Screw | | |
| 112 | ART29307 Smoke Unit | | |
| 113 | 21400-113 Smoke Pipe | | |
| 114 | 29101-114 Smoke Pipe Retainer | | |
| 115 | 29101-115 Smoke Stack | | |
| 116 | 31000-116 L.H. Smoke Box Half | | |
| 117 | 21400-117 R.H. Smoke Box Half | | |
| 118 | 21400-118 L.H. Cylinder Exhaust | | |
| 119 | 21400-119 R.H. Cylinder Exhaust | | |
| 120 | 21400-120 Exhaust Screw | | |
| 121 | 21400-121 Smoke Box Half Retainer Screw | | |
| 122 | 21400-122 Cylinders | | |
| 123 | 21400-123 Forward Cylinder Heads | | |
| 124 | 21400-124 Rear Cylinder Heads | | |
| 125 | 21400-125 Piston | | |
| 126 | 21400-126 Piston Wiper | | |
| 127 | 21400-127 Piston & Wiper Screw | | |
| 128 | 21400-128 R.H. Cross Head Forward Mount | | |
| 129 | 21400-129 L.H. Cross Head Forward Mount | | |
| 130 | 29101-130 R.H. Piston Rod | | |
| 131 | 29101-131 L.H. Piston Rod | | |
| 132 | 31000-132 Parts List-Order Form | | |
| 133 | 21400-133 Cross Head Upper Side | | |
| 134 | 21400-134 Short Arm | | |
| 135 | 21400-135 Long Arm | | |
| 136 | 21400-136 Short & Long Arm Screws | | |
| 137 | 21400-137 R.H. Rear Cross Head Support | | |
| 138 | 21400-138 L.H. Rear Cross Head Support | | |
| 139 | 21400-139 R.H. Cross Head Arm | | |
| 140 | 21400-140 L.H. Cross Head Arm | | |
| 141 | 21400-141 Cross Head Screws | | |
| 142 | 21400-142 Cross Head Forward Mount | | |
| 143 | 21400-143 Main Drive Rod | | |
| 144 | 21400-144 Main Eccentric Crank | | |
| 145 | 21400-145 Spacer | | |
| 146 | 21400-146 Eccentric Rod Screw | | |
| 147 | 21400-147 Eccentric Rod | | |
| 148 | 21400-148 R.H. Reverse Mount | | |
| 149 | 21400-149 L.H. Reverse Mount | | |
| 150 | 21400-150 Reverse Mount Screw | | |
| 151 | 21400-151 R.H. Reverse Cam | | |
| 152 | 21400-152 L.H. Reverse Cam | | |
| 153 | 21400-153 Reverse Cam Screws | | |
| 154 | 21400-154 Motor Drive Block Universal | | |
| 155 | 21400-155 Equalizers | | |
| 156 | 21400-156 Drive Block Lower Half | | |
| 157 | 21400-157 Drive Block Retaining Screws | | |
| 158 | 21400-158 Drive Block Mount Screws | | |
| 159 | 21400-159 Drive Block Upper Half | | |
| 160 | 21400-160 Drive Shaft | | |
| 161 | 21400-161 Spacer | | |
| 162 | 21400-162 End Bearing | | |
| 163 | 21400-163L L.H. Brake Shoes | | |
| 163R | 21400-163R R.H. Brake Shoes | | |
| 164 | 21400-164 Front & Rear Drive Wheels | | |
| 165 | 21400-165 Middle Drive Wheels | | |
| 166 | 21400-166 Wheel Retaining Screw | | |
| 167 | 21400-167 Center Driver Equalizer Springs | | |
| 168 | 21400-168 Main Drive Rod Connecting Screw | | |
| 169 | 21400-169 Long Main Drive Rod | | |
| 170 | 21400-170L L.H. Short Main Drive Rod | | |
| 170R | 21400-170R R.H. Short Main Drive Rod | | |
| 171 | 21400-171 Electrical Eyelet | | |
| 172 | 21400-172 Bushing | | |

* one piece unless otherwise noted

ART-21400 SERIES PACIFIC 4-6-2 STEAM LOCOMOTIVE

PARTS LIST-ORDER FORM



SPECIFY ROADNAME/ART#: _____ Insert Quantity Ordered

| Part # | Description * | Price | Quantity Ordered |
|-----------------|-------------------------------------|-------|------------------|
| (173) 21400-173 | Helical Gear Box Retaining Nut | | |
| (174) 24100-174 | L.H. Gear Box Half | | |
| (175) 24100-175 | Drive Axle | | |
| (176) 24100-176 | Drift Pin | | |
| (177) 21400-177 | Helical Gear | | |
| (178) 21400-178 | R.H. Gear Box Half | | |
| (179) 21400-179 | Helical Gear Box Retaining Screw | | |
| (180) 21400-180 | R.H. Center Driver Axle Mount | | |
| (181) 21400-181 | Axle Barrel | | |
| (182) 21400-182 | L.H. Center Driver Axle Mount | | |
| (Z) 29101-99 | Plastic Loop/Hook Couplers (2 pcs.) | | |
| 31000-99 | Parts List-Order Form | | |

*one piece unless otherwise noted

RETURN THIS FORM WITH YOUR ORDER
A REPLACEMENT FORM WILL BE SENT WITH YOUR ORDER

NOTE: When ordering replacement parts or repair request, please refer to proper 5 or 7 digit number listed.

XX refers to last two digits of roadname ART freight car number when part is painted to match, i.e. ART-21410 SOUTHERN PACIFIC. 21410-03 would then refer to the CAB for SOUTHERN PACIFIC PACIFIC 4-6-2 STEAM LOCOMOTIVE ART-21410. If part is same FOR ALL PACIFIC 4-6-2 STEAM LOCOMOTIVES, 21400-plus 2 digit number would be used to denote specific part, i.e. 21400-33 CHASSIS. When part is same FOR ALL STEAM LOCOMOTIVES and OTHER FREIGHT CARS 29200 (or other #-plus 2 digit number) would be used to denote specific part regardless of roadname/car type. Please specify roadname/ART# on line above part# list.

Unpainted/painted part(s) will be substituted if the painted to match part(s) ordered are not available.

In addition to Price Each shown please enclose...
\$5.00 shipping/handling if part order is less than \$10.00 or
\$10.00 shipping/handling if part order is \$10.00 or more.
This is for part order only. Not WARRANTY order.

Include proper payment for parts plus shipping/handling with your (USA Bank Account Only) check/money order payable in US Dollars (\$) to: Polk's Hobbies. Please DO NOT SEND CASH. Sorry no C.O.D.'s for parts.

New Jersey residents add 6% NJ State Sales Tax.

Be Sure to include your name, street address (no Post Office Box please), city, state (or province), country (if outside USA), and postal zip code, along with daytime phone number including Area Code, so that you may be contacted if necessary.

Mail order form and payment to:

ARISTO-CRAFT TRAINS/Polk's Modelcraft Hobbies, Inc.
698 South 21st Street
Irvington, NJ 07111-4109 USA

Allow 4-6 weeks for processing and delivery.

PLEASE PRINT CLEARLY

NAME: _____

ADDRESS _____

CITY: _____ STATE: _____ ZIP _____

PHONE: (____) - _____ - _____