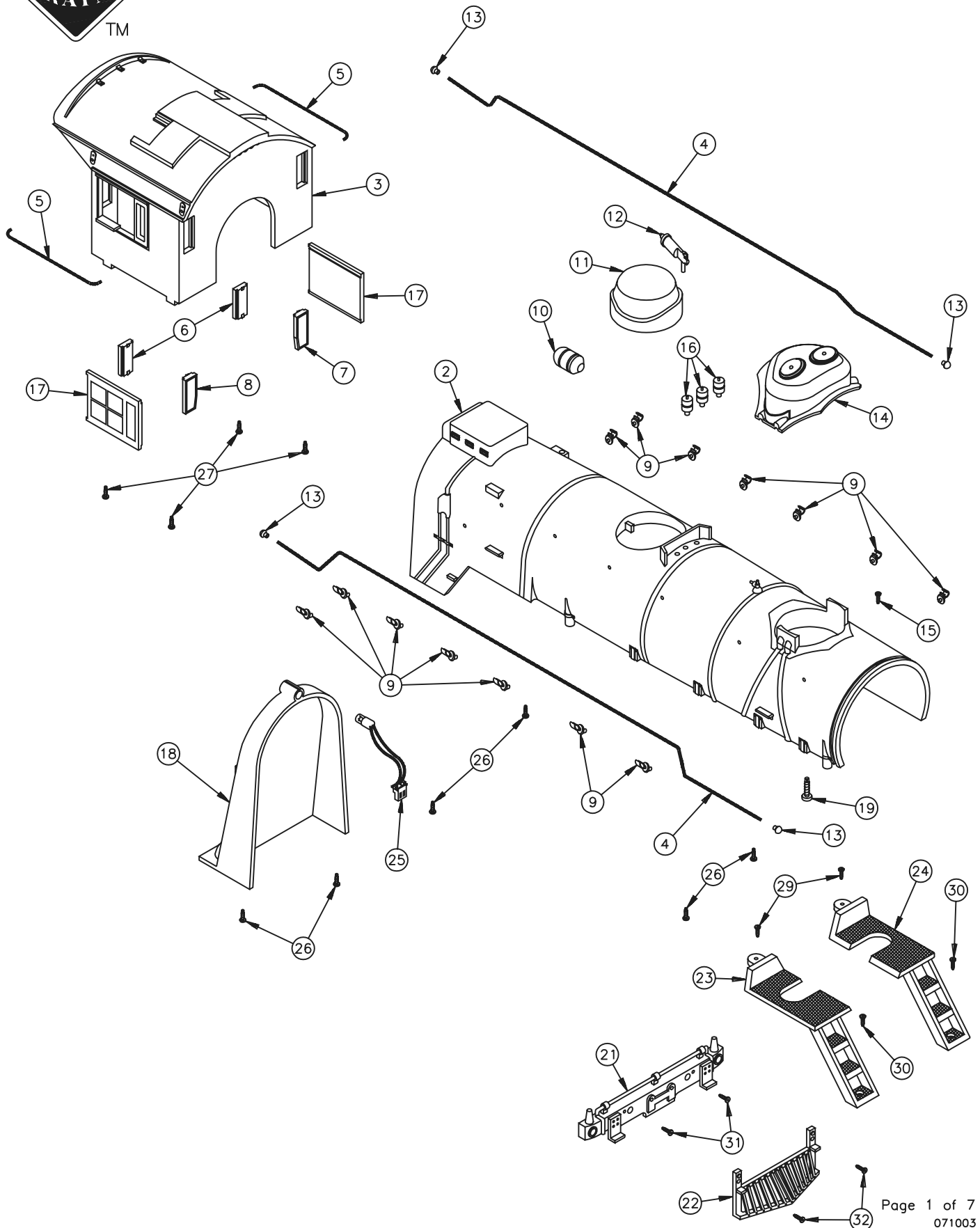




ART-21500 SERIES MIKADO 2-8-2 STEAM LOCOMOTIVE

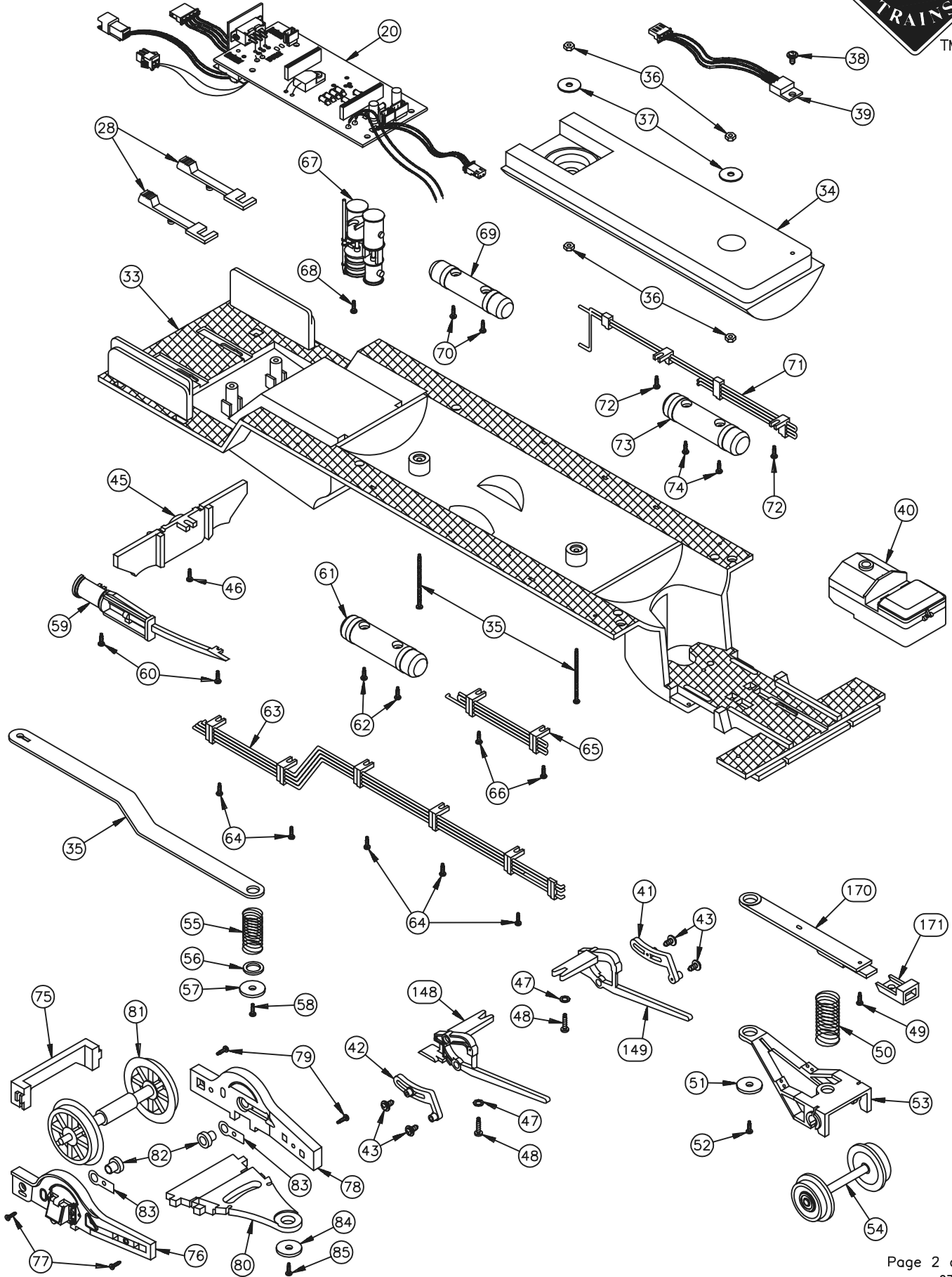
EXPLODED PARTS DIAGRAM

1 Gauge **1:29** SCALE



ART-21500 SERIES MIKADO 2-8-2 STEAM LOCOMOTIVE

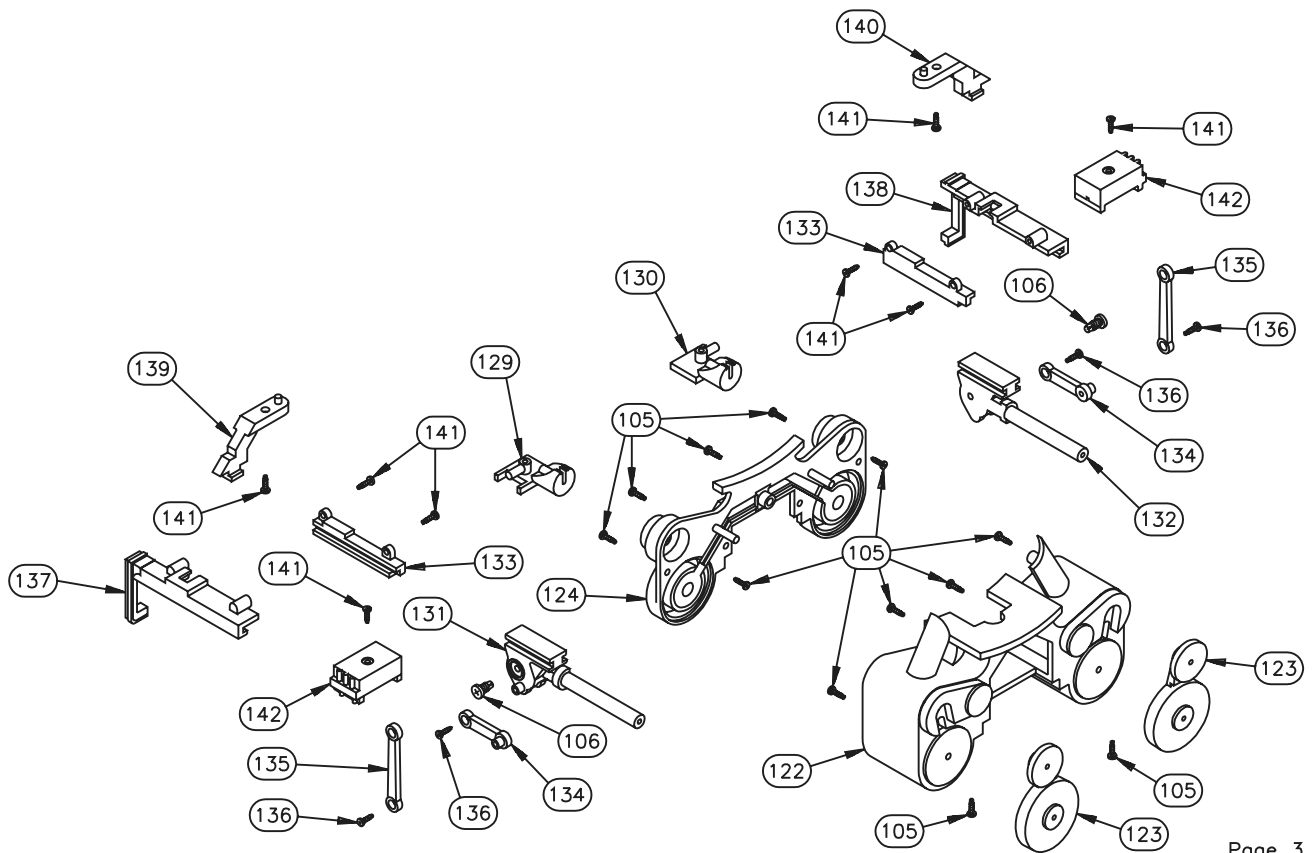
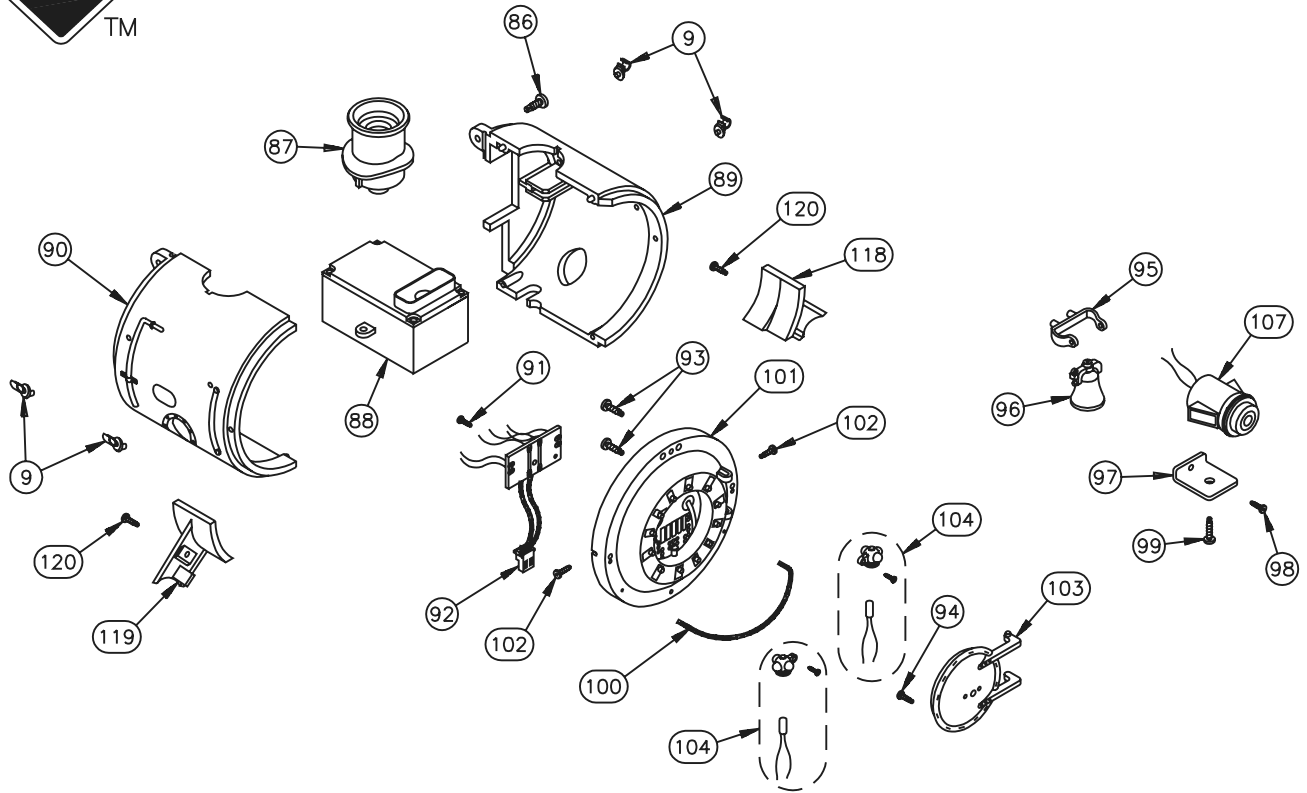
EXPLODED PARTS DIAGRAM





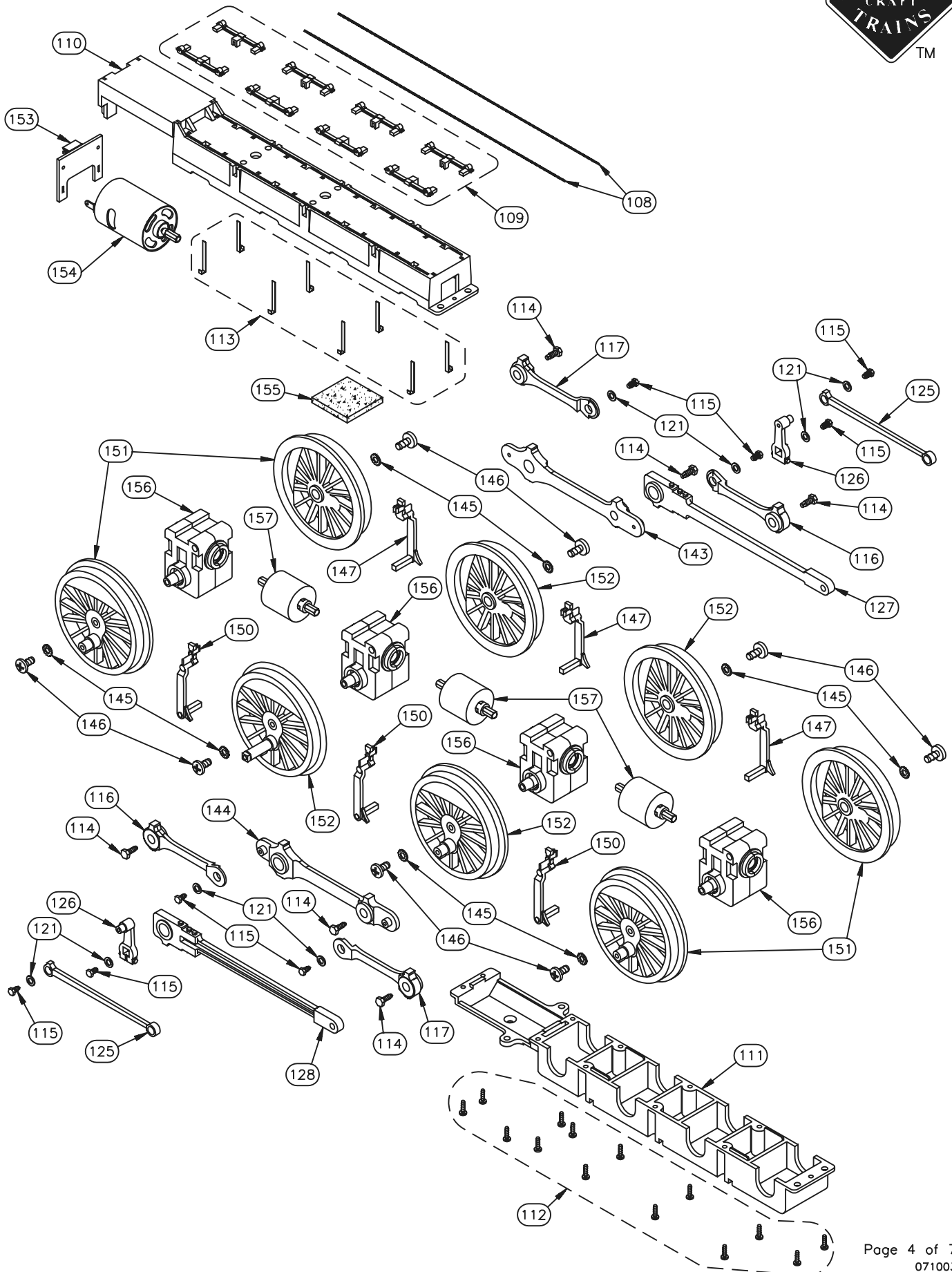
ART-21500 SERIES MIKADO 2-8-2 STEAM LOCOMOTIVE EXPLODED PARTS DIAGRAM

Gauge 1:29
SCALE



ART-21500 SERIES MIKADO 2-8-2 STEAM LOCOMOTIVE

EXPLODED PARTS DIAGRAM

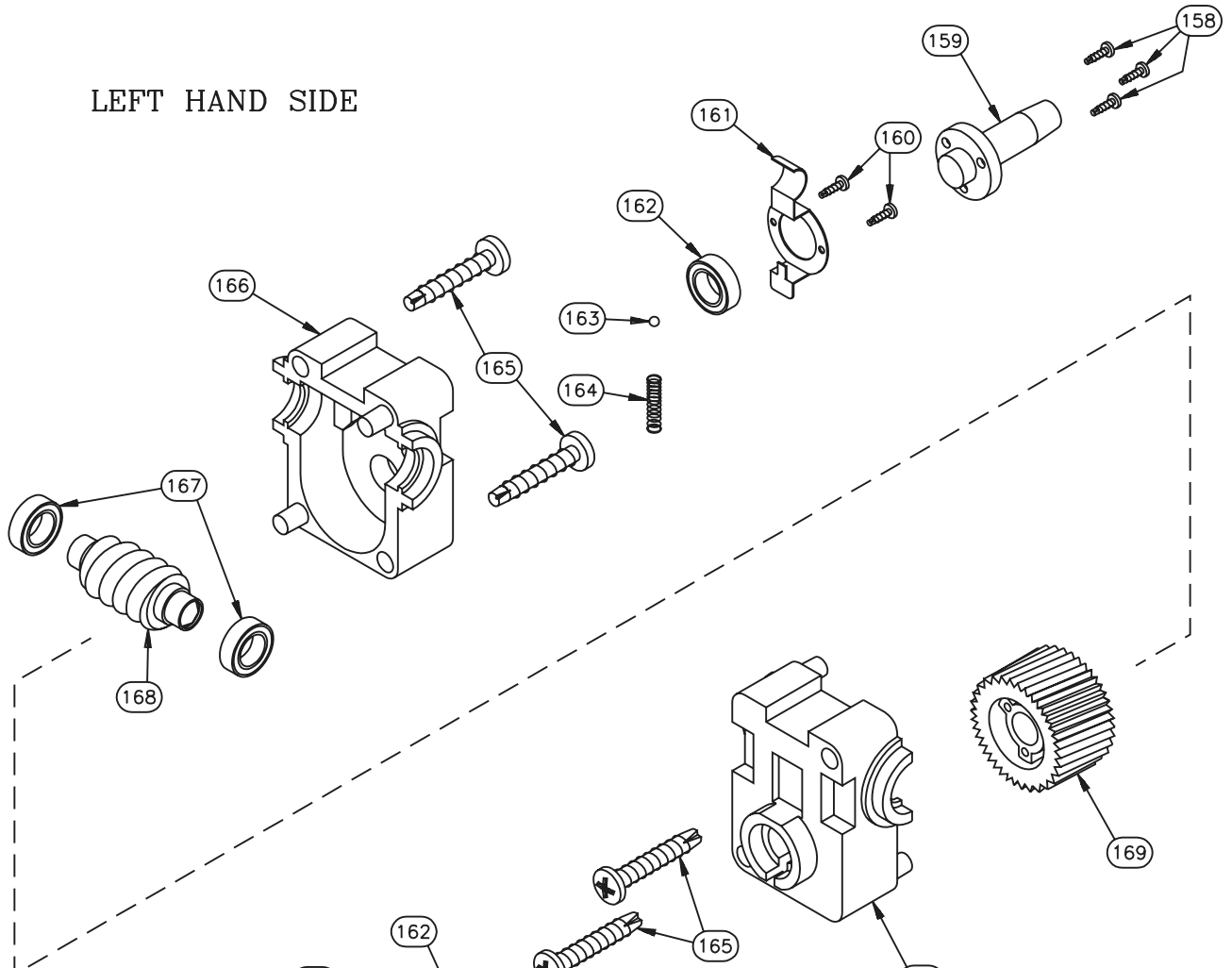




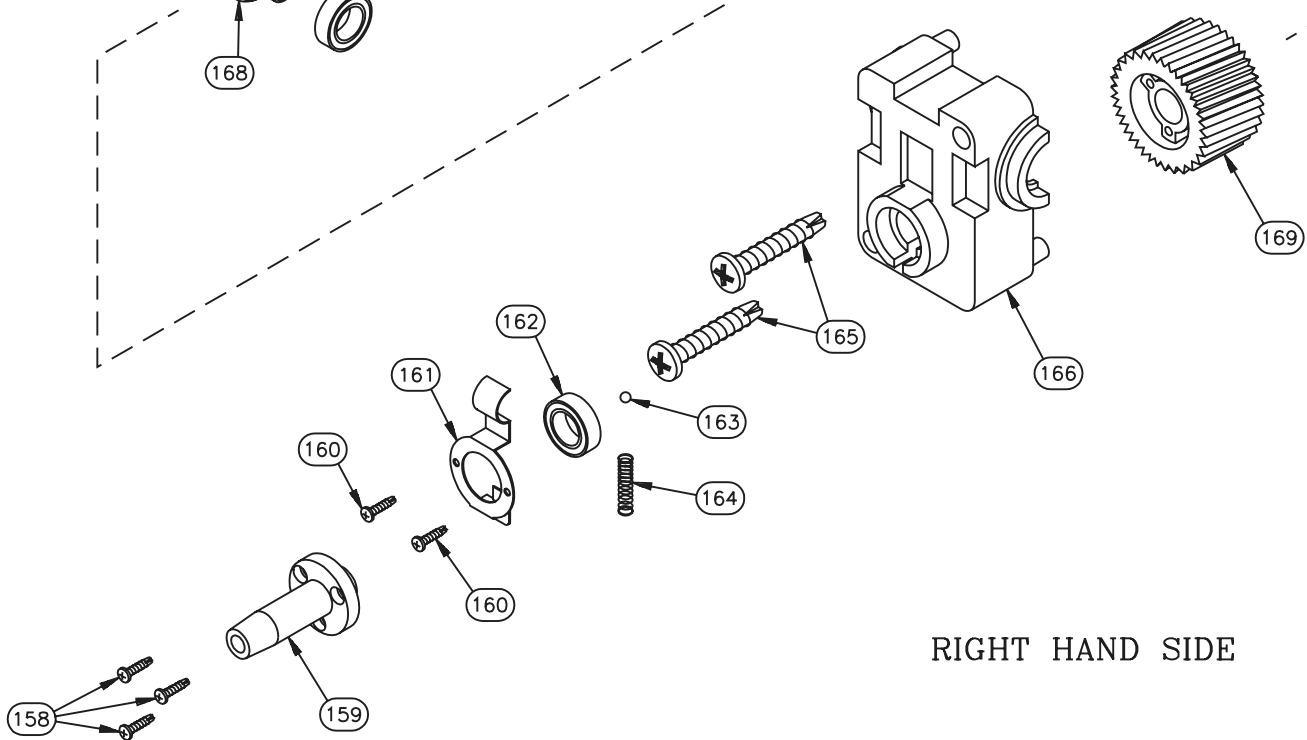
ART-21500 SERIES MIKADO 2-8-2 STEAM LOCOMOTIVE GEAR BOX ASSEMBLY DIAGRAM

Gauge 1:29 SCALE

LEFT HAND SIDE



RIGHT HAND SIDE



ART-21500 SERIES MIKADO 2-8-2 STEAM LOCOMOTIVE

PARTS LIST-ORDER FORM



SPECIFY ROADNAME/ART#: _____ Insert Quantity Ordered

Part #	Description *	Price	Quantity Ordered
1	21400-01 Instruction Manual		
2	21400-02 Boiler Shell		
3	21400-03 Cab		
4	21400-04 Boiler Hand Rail		
5	21400-05 Cab Horizontal Hand Rail		
6	21400-06 Cab Rear Window		
7	21400-07 Cab Front Window L.H.		
8	21400-08 Cab Front Window R.H.		
9	21400-09 Hand Rail Stanchions		
10	21400-10 Generator		
11	21400-11 Steam Dome		
12	21400-12 Whistle		
13	21500-13 Hand Rail End Cap		
14	21500-14 Sand Dome		
15	21500-15 Boiler & Smoke Box Retaining Screw		
16	21400-16 Pop Valve (3 pcs.)		
17	21400-17 Cab Sliding Window		
18	21400-18 Fire Box		
19	21500-19 Sand Dome Mounting Screw		
20	21500-20 Main Circuit Board		
21	21400-21 Pilot Mount		
22	21400-22 Pilot		
23	21400-23 R.H. Front Step		
24	21400-24 L.H. Front Step		
25	21400-25 Cab Light		
26	21400-26 Boiler & Fire Box Mounting Screw		
27	21400-27 Cab Mounting Screw		
28	21500-28 On-Off Switch		
29	21400-29 Front Step Upper Mounting Screw		
30	21400-30 Front Step Lower Mounting Screw		
31	21400-31 Pilot Mount Retaining Screw		
32	21400-32 Pilot Retaining Screw		
33	21400-33 Chassis		
34	21500-34 Weight Stack		
35	21400-35 Weight Stack Retaining Screw		
36	21400-36 Weight Stack Retaining Nut		
37	21400-37 Weight Stack Retaining Washer		
38	21500-38 Transistor Screw		
39	21500-39 Transistor		
40	21500-40 Tool Box		
41	21500-41 L.H. Reverse Cam		
42	21500-42 R.H. Reverse Cam		
43	21500-43 Reverse Cam Screw		
44	21500-44 Draw Bar - Mikado		
45	21400-45 Cab Lower Support		
46	21400-46 Cab Lower Support Retaining Screw		
47	21500-47 Star Washer		
48	21500-48 Reverse Mount Screw		
49	21500-49 Draw Bar Screw		
50	21500-50 Pilot Truck Spring		
51	21500-51 Pilot Retainer Washer		
52	21500-52 Pilot Retainer Screw		
53	21500-53 Pilot Truck Frame		
54	21500-54 Pilot Truck Wheels		
55	21400-55 Draw Bar Spring		
56	21400-56 Washer		
57	21400-57 Draw Bar Spring Retaining Washer		
58	21400-58 Draw Bar Retaining Screw		
59	21400-59 Power Reverse Actuator		
60	21400-60 Power Reverse Actuator Screw		
61	21400-61 R.H. Forward Air Tank		
62	21400-62 R.H. Forward Air Tank Screw		
63	21400-63 R.H. Rear Piping		
64	21400-64 R.H. Rear Piping Screw		
65	21400-65 R.H. Forward Piping		
66	21400-66 R.H. Forward Piping Screw		
67	21400-67 Air Pump		
68	21400-68 Air Pump Retaining Screw		
69	21400-69 L.H. Rear Air Tank		
70	21400-70 L.H. Rear Air Tank Upper Half		
71	21400-71 L.H. Piping		
72	21400-72 L.H. Piping Screw		
73	21400-73 L.H. Forward Air Tank		
74	21400-74 L.H. Forward Air Tank Screw		
75	21400-75 Pony Truck Rear Support		
76	21400-76 R.H. Pony Truck Side Frame		
77	21400-77 R.H. Side Frame Screw		
78	21400-78 L.H. Pony Truck Side Frame		
79	21400-79 L.H. Side Frame Screw		
80	21400-80 Pony Truck Mid Support		
81	21400-81 Pony Truck Wheels		
82	21400-82 Brass Bushing		
83	21400-83 Electrical Eyelet		
84	21500-84 Pony Truck Washer		
85	21400-85 Pony Truck Screw		
86	21400-86 Smoke Box Half Retainer Screw		
87	21500-87 Smoke Stack		
88	ART 29311 Smoke Unit		

Part #	Description *	Price	Quantity Ordered
89	21500-89 L.H. Smoke Box Half		
90	21500-90 R.H. Smoke Box Half		
91	21500-91 Head Light Circuit Board Screw		
92	21500-92 Head Light Circuit Board		
93	21500-93 Smoke Box Door Screw		
94	21500-94 Smoke Box Door Latching Screw		
95	29101-95 Bell Harp - Smoke Box Mount		
96	29101-96 Bell		
97	21500-97 Head Light Platform		
98	21500-98 Head Light Platform Mounting Screw		
99	21500-99 Head Light Retaining Screw		
100	21400-100 Smoke Box Grab Iron		
101	21400-101 Smoke Box Front		
102	21400-102 Smoke Box Screw		
103	21400-103 Smoke Box Door		
104	ART 29506 Marker Lights - pair		
105	21500-105 Cylinder Head Screw		
106	21500-106 Piston Rod Retaining Screw		
107	21400-107 Head Light		
108	ART 29362 Mikado Motor Block with Wheels		
109	21500-108 Contact Wire		
110	21500-109 Equalizers (each)		
111	21500-110 Drive Block Upper Half		
112	21500-111 Drive Block Lower Half		
113	21500-112 Drive Block Lower Half Retaining Screw (each)		
114	21500-113 Contact (each)		
115	21500-114 Large Eccentric Rod Screw		
116	21500-115 Small Eccentric Rod Screw		
117	21500-116 L.H. Short Main Drive Rod		
118	21500-117 R.H. Short Main Drive Rod		
119	21400-118 L.H. Cylinder Exhaust		
120	21400-119 R.H. Cylinder Exhaust		
121	21400-120 Cylinder Exhaust Screw		
122	21500-121 Washer		
123	21400-122 Cylinders		
124	21400-123 Forward Cylinder Heads		
125	21400-124 Rear Cylinder Heads		
126	21500-125 Eccentric Rod		
127	21500-126 Main Eccentric Crank		
128	21500-127 Long Main Drive Rod L.H.		
129	21400-128 Long Main Drive Rod R.H.		
130	21400-129 R.H. Cross Head Forward Mount		
131	29101-130 L.H. Cross Head Forward Mount		
132	29101-131 R.H. Piston Rod		
133	21400-132 L.H. Piston Rod		
134	21400-133 Cross Head Upper Side		
135	21400-134 Short Arm		
136	21400-135 Long Arm		
137	21400-136 Short & Long Arm Screws		
138	21400-137 R.H. Rear Cross Head Support		
139	21400-138 L.H. Rear Cross Head Support		
140	21400-139 R.H. Cross Head Arm		
141	21400-140 L.H. Cross Head Arm		
142	21400-141 Cross Head Screws		
143	21500-142 Cross Head Forward Mount		
144	21500-143 Main Drive Rod L.H.		
145	21500-144 Main Drive Rod R.H.		
146	21500-145 Star Washer		
147	21500-146 Wheel Retaining Screw		
148	21500-147 L.H. Brake Shoes		
149	21400-148 R.H. Reverse Mount		
150	21400-149 L.H. Reverse Mount		
151	21500-150 R.H. Brake Shoes		
152	21500-151 Front/Rear Drive Wheel		
153	21500-152 Middle Drive Wheel		
154	21500-153 Circuit Board		
155	ART 29361 Mikado/Pacific Motor with Fan		
156	21500-155 Foam		
157	ART 29132 Inner Gear Box without Wheels		
158	21500-124 Flywheel		
159	29132-158 Axle Barrel Screw		
160	29132-159 Axle Barrel		
161	29132-160 Electrical Eyelet Retaining Screw		
162	29132-161 Electrical Eyelet		
163	29132-162 Bushing		
164	29132-163 Ball Bearing		
165	29132-164 Spring		
166	29132-165 Gear Box Half Screw		
167	29132-166 Gear Box Half		
168	29132-167 Bushing		
169	29132-168 Worm		
170	29132-169 Helical Gear		
171	21500-170 Front Coupler Draw Bar		
172	21500-171 Front Coupler Mount		
173	29101-99 Plastic Loop/Hook Couplers (2 pcs.)		
174	31000-99 Parts List-Order Form		

*one piece unless otherwise noted



ART-21500 SERIES MIKADO 2-8-2 STEAM LOCOMOTIVE PARTS LIST-ORDER FORM



RETURN THIS FORM WITH YOUR ORDER

NOTE: When ordering replacement parts or a repair request, please refer to proper 5 or 7 digit number listed. All parts are undecorated. Not all parts are available. Prices are subject to change without notice. Some parts shown may not exist on model or roadname. FOR ALL MIKADO 2-8-2 STEAM LOCOMOTIVES, 21500-PLUS 2 digit number should be used to denote specific part, i.e. 21500-33 CHASSIS.

In addition to Price Each shown please enclose...
\$5.00 shipping/handling if part order is less than \$10.00 or
\$10.00 shipping/handling if part order is \$10.00 or more.

This is for part order only. Not WARRANTY order.

Include proper payment for parts plus shipping/handling with your (USA Bank Account Only) check/money order payable in US Dollars (\$) to: Polk's Hobbies. Please DO NOT SEND CASH. Sorry no C.O.D.'s for parts.

New Jersey residents add 6% NJ State Sales Tax.

Be Sure to include your name, street address (no Post Office Box please), city, state (or province), country (if outside USA), and postal zip code, along with daytime phone number including Area Code, so that you may be contacted if necessary.

Not all parts available at all times. Parts requests/ orders are not back ordered. Fulfillment of orders not guaranteed.

Mail order form and payment to:

ARISTO-CRAFT TRAINS/Polk's Modelcraft Hobbies, Inc.
698 South 21st Street
Irvington, NJ 07111-4109 USA

Allow 4-6 weeks for processing and delivery.

PLEASE PRINT CLEARLY

NAME: _____

ADDRESS _____

CITY: _____ STATE: _____ ZIP _____

PHONE:(____) - ____ - _____

CREDIT CARD INFORMATION - PLEASE CHECK ONE:

VISA: ____ MC: ____ AMEX: ____ DISCOVER: ____

CARD NUMBER: _____

EXPIRATION DATE (MM/YY): ____/____