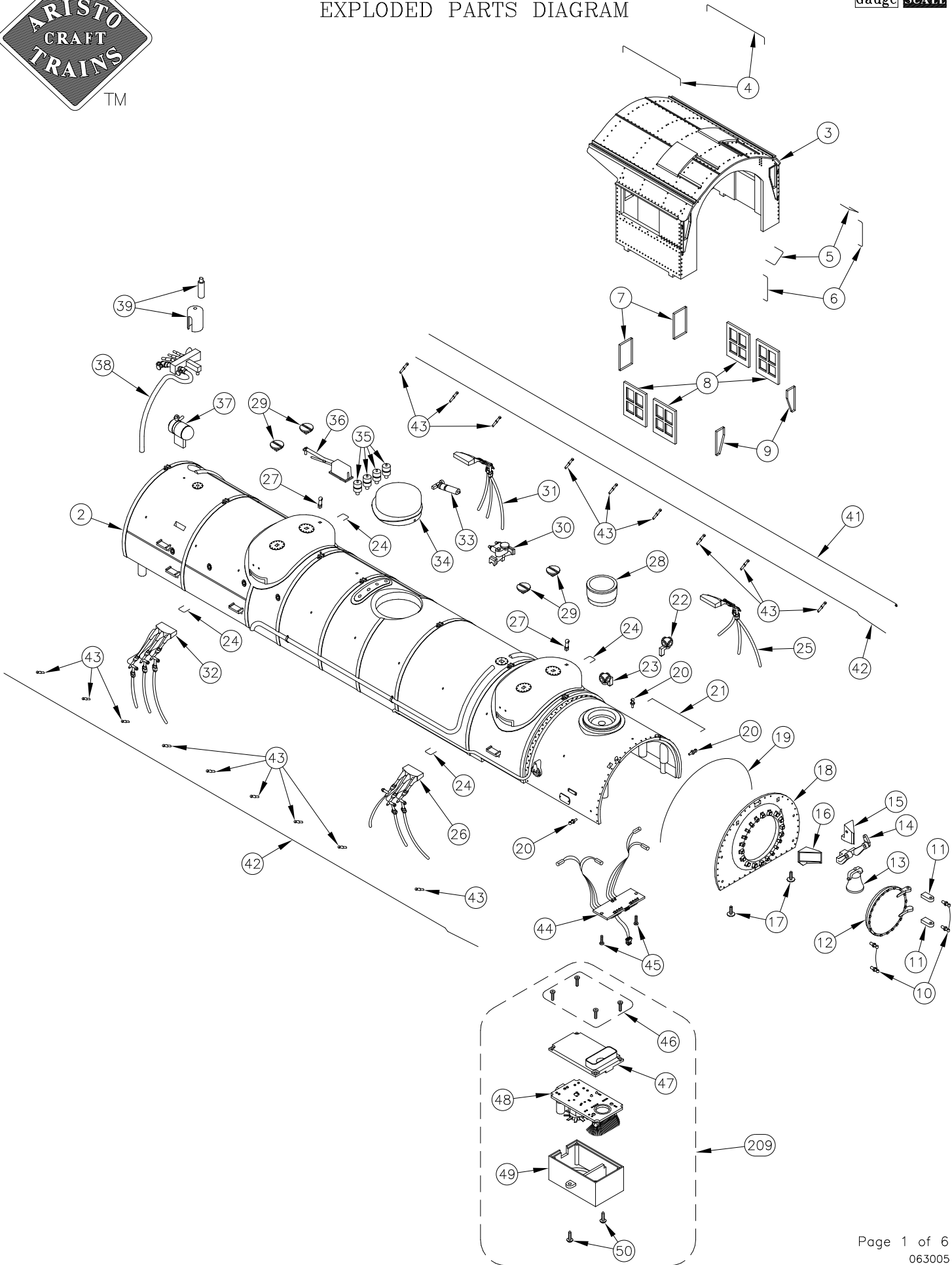




# ART-21600 SERIES 2-8-8-2 USRA MALLETT STEAM LOCOMOTIVE

## EXPLODED PARTS DIAGRAM

#1 Gauge 1:29 SCALE

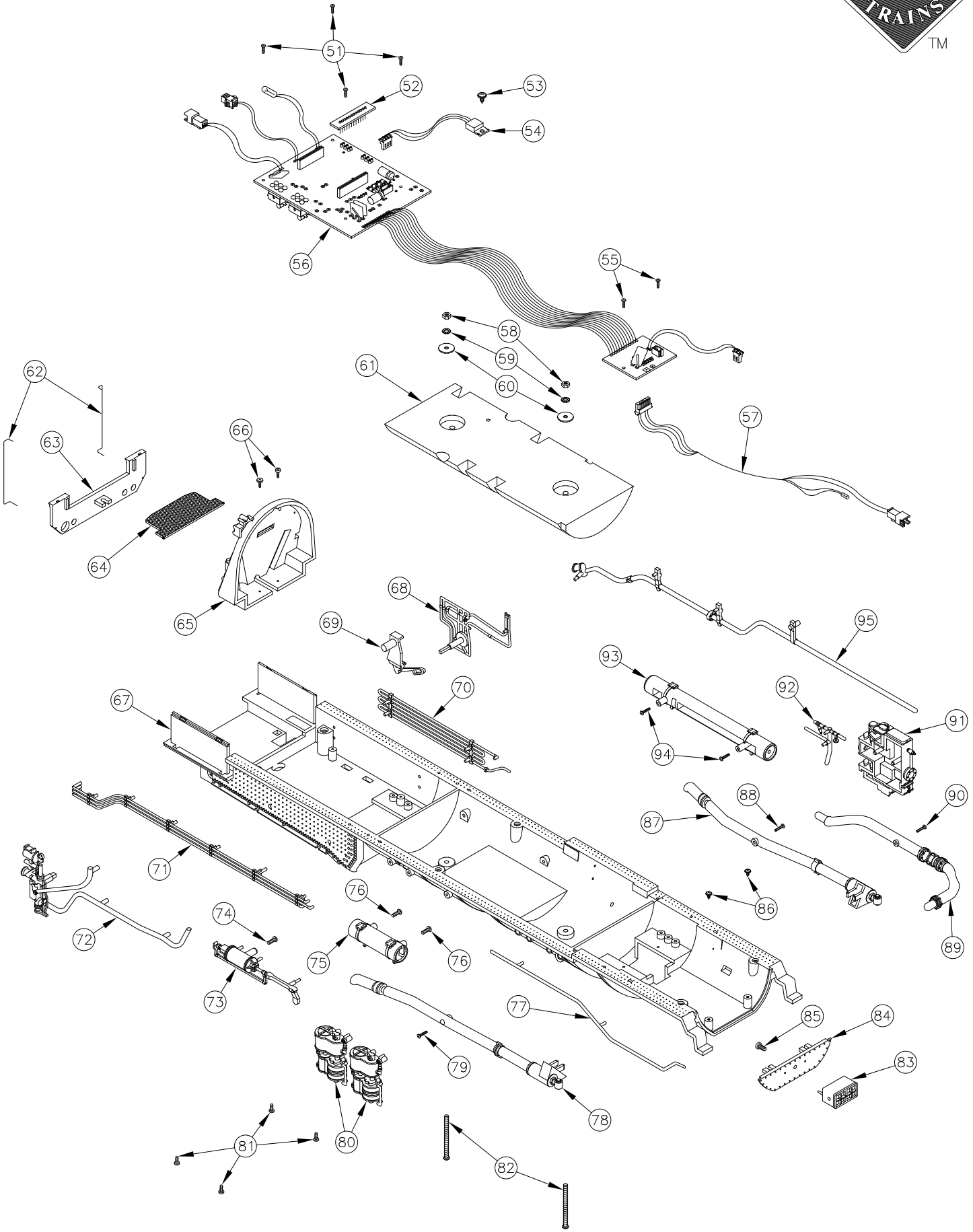


#1  
Gauge

1:29  
SCALE

# ART-21600 SERIES 2-8-8-2 USRA Mallet Steam Locomotive

## PARTS LIST-ORDER FORM



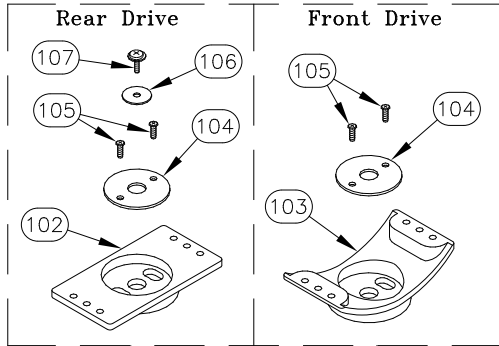


# ART-21600 SERIES 2-8-8-2 USRA Mallet Steam Locomotive

#1 Gauge 1:29 SCALE

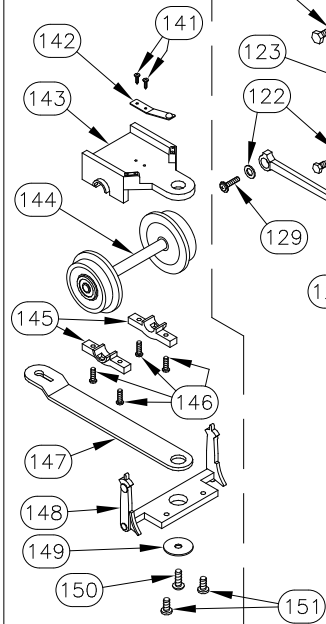
## EXPLODED PARTS DIAGRAM

+

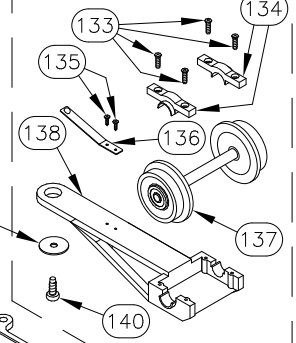


+

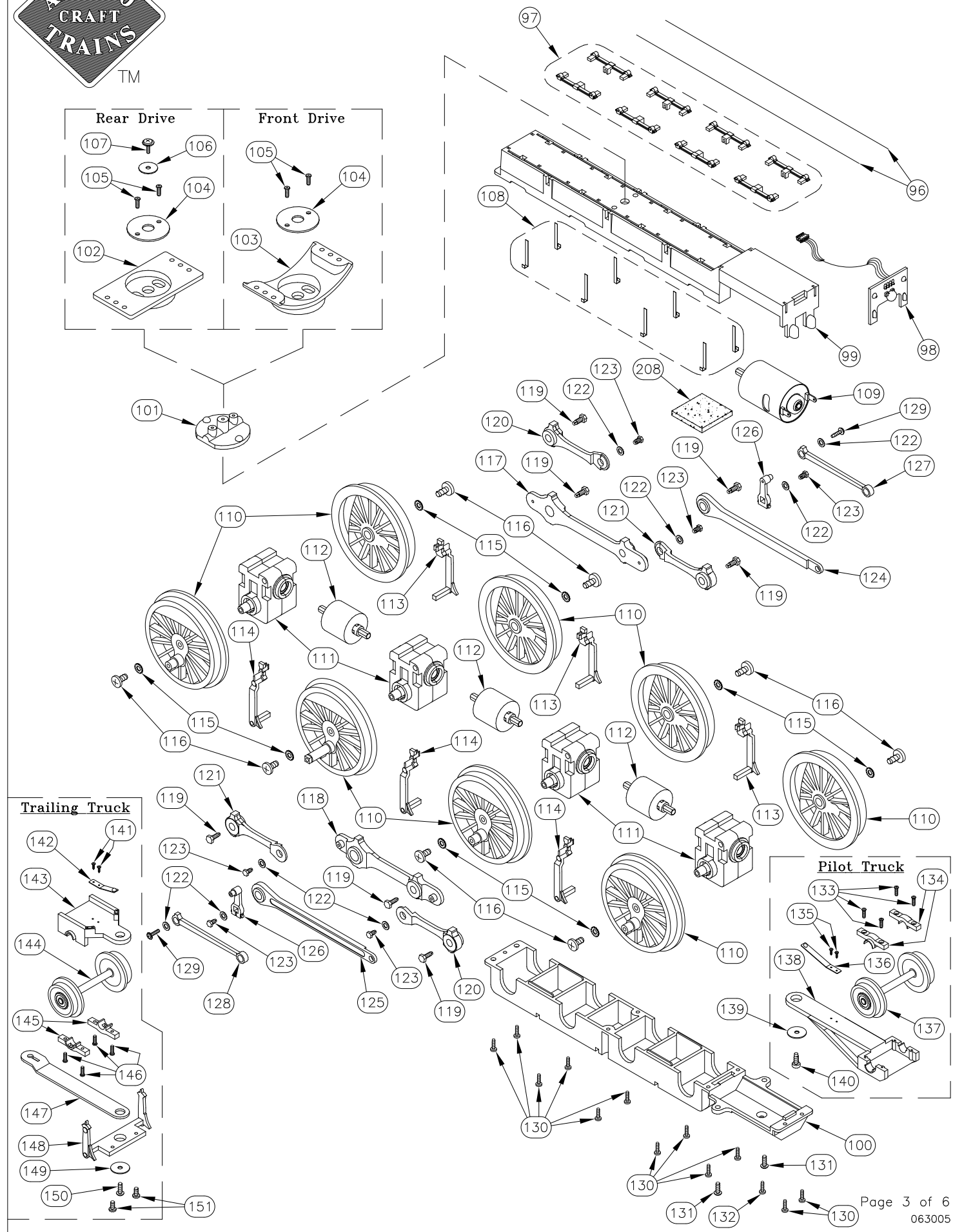
### Trailing Truck



### Pilot Truck

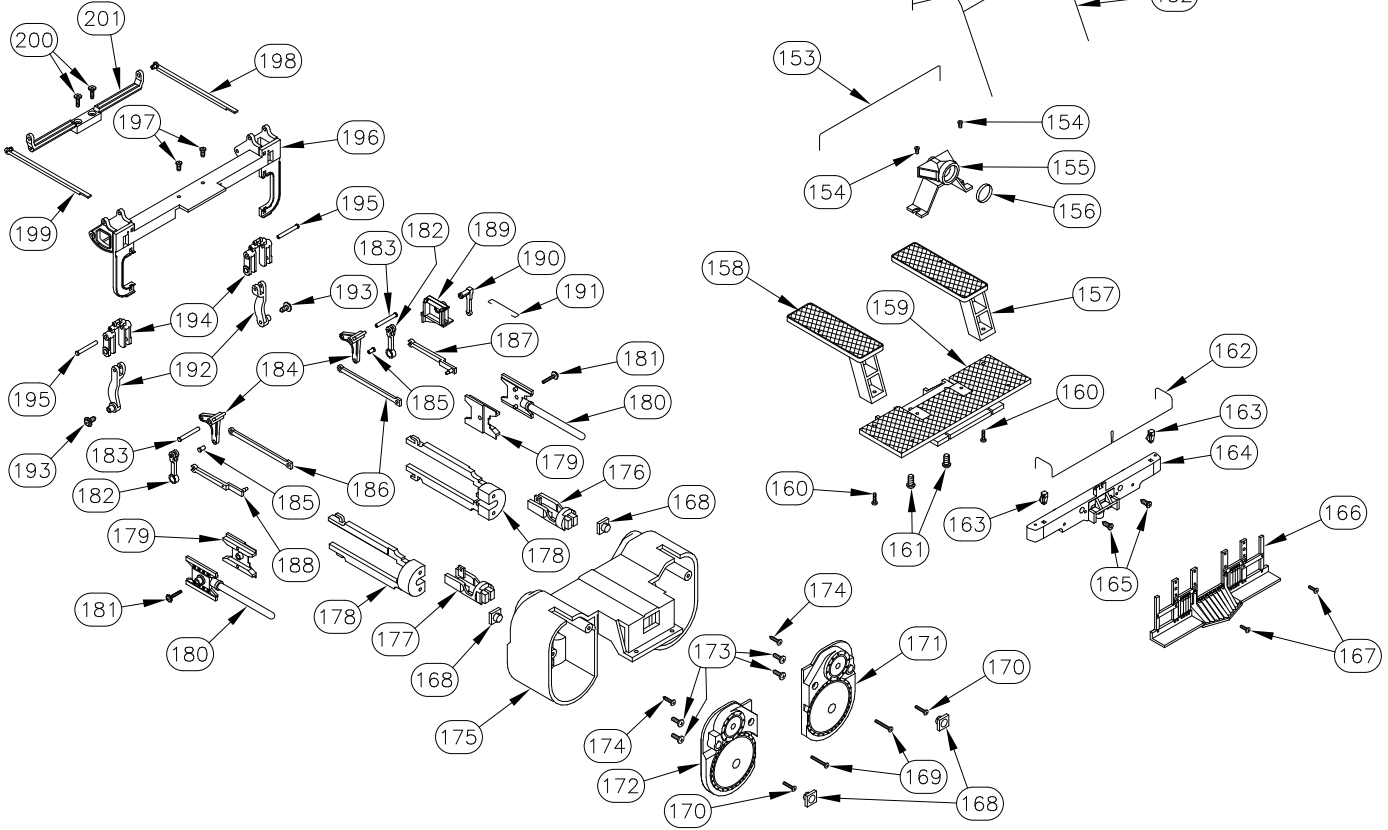


+

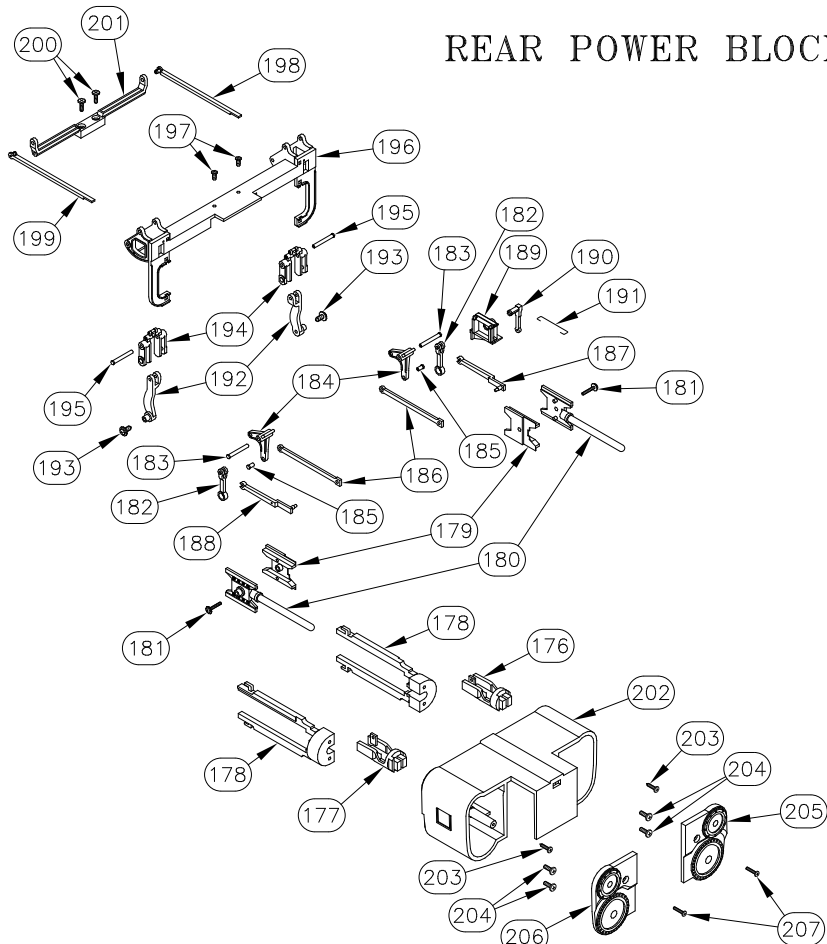




FRONT POWER BLOCK ASSEMBLY



REAR POWER BLOCK ASSEMBLY





# ART-21600 SERIES 2-8-8-2 USRA Mallet Steam Locomotive

#1 Gauge 1:29 SCALE

## PARTS LIST-ORDER FORM

SPECIFY ROADNAME/ART#: \_\_\_\_\_

Part #	Description *	Price	Quantity Ordered	Part #	Description *	Price	Quantity
① 21600-01	Instruction Manual			③ 21600-83			
② 21600-02	Body Upper Half			④ 21600-84	Smoke Box Lower Half		
③ 21600-03	Cab			⑤ 21600-85	Screw		
④ 21600-04	Cab Grab Iron - Horizontal			⑥ 21600-86	Smoke Box Lower Half Retaining Screw		
⑤ 21600-05	Cab Grab Iron			⑦ 21600-87	Exhaust Steam Line L.H.		
⑥ 21600-06	Cab Grab Iron - Vertical			⑧ 21600-88	Screw		
⑦ 21600-07	Cab Window Rear			⑨ 21600-89	Steam Line		
⑧ 21600-08	Cab Sliding Window			⑩ 21600-90	Screw		
⑨ 21600-09	Cab Window Front			⑪ 21600-91	Distributor Valve L.H.		
⑩ 21600-10	Smoke Box Grab Iron			⑫ 21600-92	Condensate Pipe		
⑪ 21600-11	Smoke Box Hinge			⑬ 21600-93	Air Reservoir Tank Long		
⑫ 21600-12	Smoke Box Door			⑭ 21600-94	Air Reservoir Tank Long Retaining Screw		
⑬ 21600-13	Bell			⑮ 21600-95	Drain Valve Pipe		
⑭ 21600-14	Bell Harp			⑯ 21600-96	Motor Block Electrical Pick Up		
⑮ 21600-15	Numberboard L.H.			⑰ 21600-97	Equalizers		
⑯ 21600-16	Numberboard R.H.			⑱ 21600-98	Circuit Board for Power Block		
⑰ 21600-17	Smoke Box Screw			⑲ 21600-99	Drive Block Upper Half		
⑱ 21600-18	Smoke Box Front			⑳ 21600-100	Drive Block Lower Half		
⑲ 21600-19	Body Grab Iron Round			㉑ 21600-101	Drive Block Pivot		
⑳ 21600-20	Short Stanchion			㉒ 21600-102	Bolster		
㉑ 21600-21	Body Grab Iron			㉓ 21600-103	Bolster		
㉒ 21600-22	Marker Light L.H.			㉔ 21600-104	Retaining Ring		
㉓ 21600-23	Marker Light R.H.			㉕ 21600-105	Bolster Mounting Screw		
㉔ 21600-24	Body Grab Iron Short			㉖ 21600-106	Washer		
㉕ 21600-25	Front Steam Pipes L.H.			㉗ 21600-107	Bolster Screw		
㉖ 21600-26	Front Steam Pipes R.H.			㉘ 21600-108	Stabilizer		
㉗ 21600-27	Bell Wire Stanchion			㉙ 21600-109	Motor		
㉘ 21600-28	Smoke Stack			㉚ 21600-110	Front and Rear Drive Wheels		
㉙ 21600-29	Dome Cover			㉛ 21600-111	Gear Case		
㉚ 21600-30	Sand Box			㉜ 21600-112	Drive Axle Flywheel		
㉛ 21600-31	Rear Steam Pipes L.H.			㉝ 21600-113	L.H. Brake Shoe		
㉜ 21600-32	Rear Steam Pipes R.H.			㉞ 21600-114	R.H. Brake Shoe		
㉝ 21600-33	Whistle			㉟ 21600-115	Star Washer		
㉞ 21600-34	Steam Dome			㊱ 21600-116	Wheel Retaining Screw		
㉟ 21600-35	Safety Valve			㊲ 21600-117	Long Main Drive Rod L.H.		
㊱ 21600-36	Steam Valve Auxiliary			㊳ 21600-118	Long Main Drive Rod R.H.		
㊲ 21600-37	Generator			㊴ 21600-119	Screw		
㊳ 21600-38	Lubricator Dry Pipe			㊵ 21600-120	Short Main Drive Rod L.H.		
㊴ 21600-39	Cab Ventilator Steam Dome			㊶ 21600-121	Short Main Drive Rod R.H.		
㊵ 21600-41	Bell Wire			㊷ 21600-122	Washer		
㊶ 21600-42	Boiler Hand Rail			㊸ 21600-123	Screw		
㊷ 21600-43	Hand Rail Stanchion			㊹ 29101-124	Main Drive Rod L.H.		
㊸ 21600-44	Marker Light Circuit Board			㊺ 29101-125	Main Drive Rod R.H.		
㊹ 21600-45	Marker Light Circuit Board Retaining Screw			㊻ 31000-126	Main Eccentric Crank		
㊺ 21600-46	Smoke Unit Cover Screw			㊼ 21600-127	Eccentric Rod L.H.		
㊻ 21600-47	Smoke Unit Cover			㊽ 21600-128	Eccentric Rod R.H.		
㊼ 21600-48	Smoke Unit Circuit Board			㊾ 21600-129	Screw		
㊽ 21600-49	Smoke Unit Base			㊿ 21600-130	Screw		
㊾ 21600-50	Smoke Unit Mounting Screw			① 21600-131	Screw		
㊿ 21600-51	P.C. Board Retaining Screw			② 21600-132	Screw		
① 21600-52	Dummy Plug for P.C. Board			③ 21600-133	Screw		
② 21600-53	Screw			④ 21600-134	Pilot Truck Axle Retainer		
③ 21600-54	Regulator			⑤ 21600-135	Pilot Truck Spring Retaining Screw		
④ 21600-55	P.C. Board Mounting Screw			⑥ 21600-136	Pilot Truck Spring		
⑤ 21600-56	P.C. Board			⑦ 21600-137	Pilot Truck Wheels		
⑥ 21600-57	Wire Harness			⑧ 21600-138	Pilot Truck Main Mount		
⑦ 21600-58	Retaining Nut for Weight			⑨ 21600-139	Pilot Truck Washer		
⑧ 21600-59	Star Washer for Weight			⑩ 21600-140	Pilot Truck Washer Retaining Screw		
⑨ 21600-60	Washer for Weight			⑪ 21600-141	Trailing Truck Spring Retaining Screw		
⑩ 21600-61	Weight			⑫ 21600-142	Trailing Truck Spring		
⑪ 21600-62	Cab Grab Iron Rear			⑬ 21600-143	Trailing Truck Main Mount		
⑫ 21600-63	Cab Lower Support			⑭ 21600-144	Trailing Truck Wheels		
⑬ 21600-64	Rear Step			⑮ 21600-145	Trailing Truck Axle Retainer		
⑭ 21600-65	Fire Box			⑯ 21600-146	Trailing Truck Axle Retainer Screw		
⑮ 21600-66	Fire Box Retaining Screw			⑰ 21600-147	Draw Bar		
⑯ 21600-67	Body Lower Half			⑱ 21600-148	Trailing Truck Brake Shoes		
⑰ 21600-68	Drain Pipe			⑲ 21600-149	Washer		
⑱ 21600-69	Pipe Holder			⑳ 21600-150	Washer Retaining Screw		
⑲ 21600-70	L.H. Rear Piping			㉑ 21600-151	Screw		
㉑ 21600-71	R.H. Rear Piping			㉒ 21600-152	Front Railing		
㉒ 21600-72	Distributor Valve R.H.			㉓ 21600-153	Front Step Grab Iron		
㉓ 21600-73	Power Reverse Actuator			㉔ 21600-154	Headlight Mounting Screw		
㉔ 21600-74	Power Reverse Actuator Retaining Screw			㉕ 21600-155	Headlight		
㉕ 21600-75	Air Reservoir Tank Short			㉖ 21600-156	Headlight Lens		
㉖ 21600-76	Air Reservoir Tank Short Retaining Screw			㉗ 21600-157	Front Step L.H.		
㉗ 21600-77	Delivery Pipe			㉘ 21600-158	Front Step R.H.		
㉘ 21600-78	Exhaust Steam Line R.H.			㉙ 21600-159	Front Platform		
㉙ 21600-79	Screw			㉚ 21600-160	Front Platform Retaining Screw		
㉚ 21600-80	Air Pump			㉛ 21600-161	Front Step Screw		
㉛ 21600-81	Air Pump Retaining Screw			㉜ 21600-162	Cut Lever		
㉜ 21600-82	Weight Retaining Screw			㉝ 21600-163	Stanchion		
				㉞ 21600-164	Pilot Mount		
				㉟ 21600-165	Pilot Mount Retaining Screw		
				① 21600-166	Pilot		
				② 21600-167	Pilot Retaining Screw		
				③ 21600-168	Front Steam Chest Detail		

\* one piece unless otherwise noted

# ART-21600 SERIES 2-8-8-2 USRA MALLET STEAM LOCOMOTIVE

## PARTS LIST-ORDER FORM



SPECIFY ROADNAME/ART#: \_\_\_\_\_ Insert Quantity Ordered

Part #	Description *	Price	Quantity Ordered
21600-169	Forward Cylinder Head Retaining Screw Front Power Block		
21600-170	Screw		
21600-171	Forward Cylinder Head L.H. - Front Power Block		
21600-172	Forward Cylinder Head R.H. - Front Power Block		
21600-173	Screw		
21600-174	Screw		
21600-175	Rear Cylinder Head - Front Power Block		
21600-176	L.H. Cross Head Forward Mount Front Power Block		
21600-177	R.H. Cross Head Forward Mount Front Power Block		
21600-178	Cross Head Guide		
21600-179	Piston Rod Rear		
21600-180	Piston Rod		
21600-181	Piston Rod Screw		
21600-182	Reverse Shaft Arm		
21600-183	Reverse Shaft		
21600-184	Reverse Shaft Lever		
21600-185	Spacer		
21600-186	Eccentric Rod		
21600-187	Radius Rod R.H.		
21600-188	Radius Rod L.H.		
21600-189	Link		
21600-190	Spring Hanger		
21600-191	Link Rod		
21600-192	Reverse Cam		
21600-193	Reverse Cam Screw		
21600-194	Reverse Cam Bracket		
21600-195	Reverse Cam Pin		
21600-196	Rear Cross Head Support		
21600-197	Rear Cross Head Support Mounting Screw		
21600-198	Auxiliary Reach Rod L.H.		
21600-199	Auxiliary Reach Rod R.H.		
21600-200	Screw		
21600-201	Reach Rod Holder		
21600-202	Rear Cylinder Head - Rear Power Block		
21600-203	Screw		
21600-204	Screw		
21600-205	Forward Cylinder Head Retaining L.H. Rear Power Block		
21600-206	Forward Cylinder Head Retaining R.H. Rear Power Block		
21600-207	Screw		
21600-208	Foam		
ART-29311	Smoke Unit Complete		
29104	Plastic Wheel Set (2 Axles-4 Wheels)		
21600-99	Parts List-Order Form		

\* one piece unless otherwise noted

RETURN THIS FORM WITH YOUR ORDER  
 A REPLACEMENT FORM WILL BE SENT WITH YOUR ORDER  
 NOTE: When ordering replacement parts or repair request, please refer to proper 5 or 7 digit number listed.

XX refers to last two digits of roadname ART freight car number when part is painted to match, i.e. ART-21606 SOUTHERN. 21606-02 would then refer to BODY for SOUTHERN 2-8-8-2 USRA MALLET STEAM LOCOMOTIVES ART-21606. If part is same FOR ALL 2-8-8-2 USRA MALLET STEAM LOCOMOTIVES, 21600-plus 2 digit number would be used to denote specific part, i.e. 21600-14 Bell Harp used on ALL 2-8-8-2 USRA MALLET STEAM LOCOMOTIVES regardless of railroad name. When part is same FOR ALL 2-8-8-2 USRA MALLET STEAM LOCOMOTIVES AND OTHER STEAM LOCOMOTIVES, 21600 (or other #-plus 2 digit number) would be used to denote specific part regardless of roadname/car type. Please specify roadname/ART# on line above part# list and always when ordering parts by phone/fax/letter.

Unpainted/painted part(s) will be substituted if the painted to match part(s) ordered are not available. In addition to Price Each shown please enclose... \$5.00 shipping/handling if part order is less than \$10.00 or \$10.00 shipping/handling if part order is \$10.00 or more.

This is for part order only. Not WARRANTY order. Include proper payment for parts plus shipping/handling with your (USA Bank Account Only) check/money order payable in US Dollars (\$) to: Polk's Hobbies. Please DO NOT SEND CASH. Sorry no C.O.D.'s for parts.

New Jersey residents add 6% NJ State Sales Tax. Be Sure to include your name, street address (no Post Office Box please), city, state (or province), country (if outside USA), and postal zip code, along with daytime phone number including Area Code, so that you may be contacted if necessary.

Mail order form and payment to:  
 ARISTO-CRAFT TRAINS/Polk's Modelcraft Hobbies, Inc.  
 698 South 21st Street  
 Irvington, NJ 07111-4109 USA  
 Allow 4-6 weeks for processing and delivery.

PLEASE PRINT CLEARLY  
 NAME: \_\_\_\_\_  
 ADDRESS \_\_\_\_\_  
 CITY: \_\_\_\_\_ STATE: \_\_\_\_\_ ZIP \_\_\_\_\_  
 PHONE: (\_\_\_\_) - \_\_\_\_ - \_\_\_\_\_