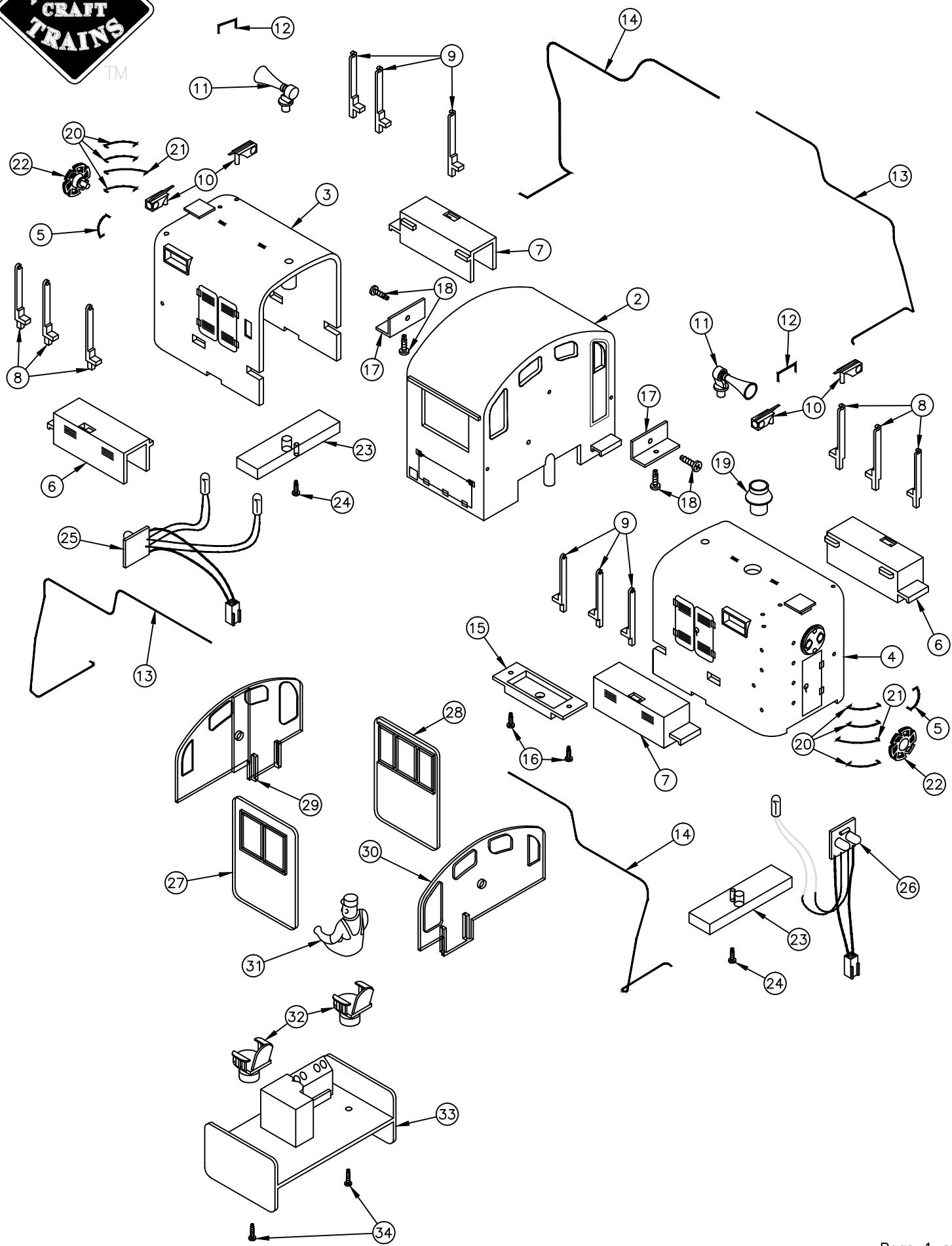


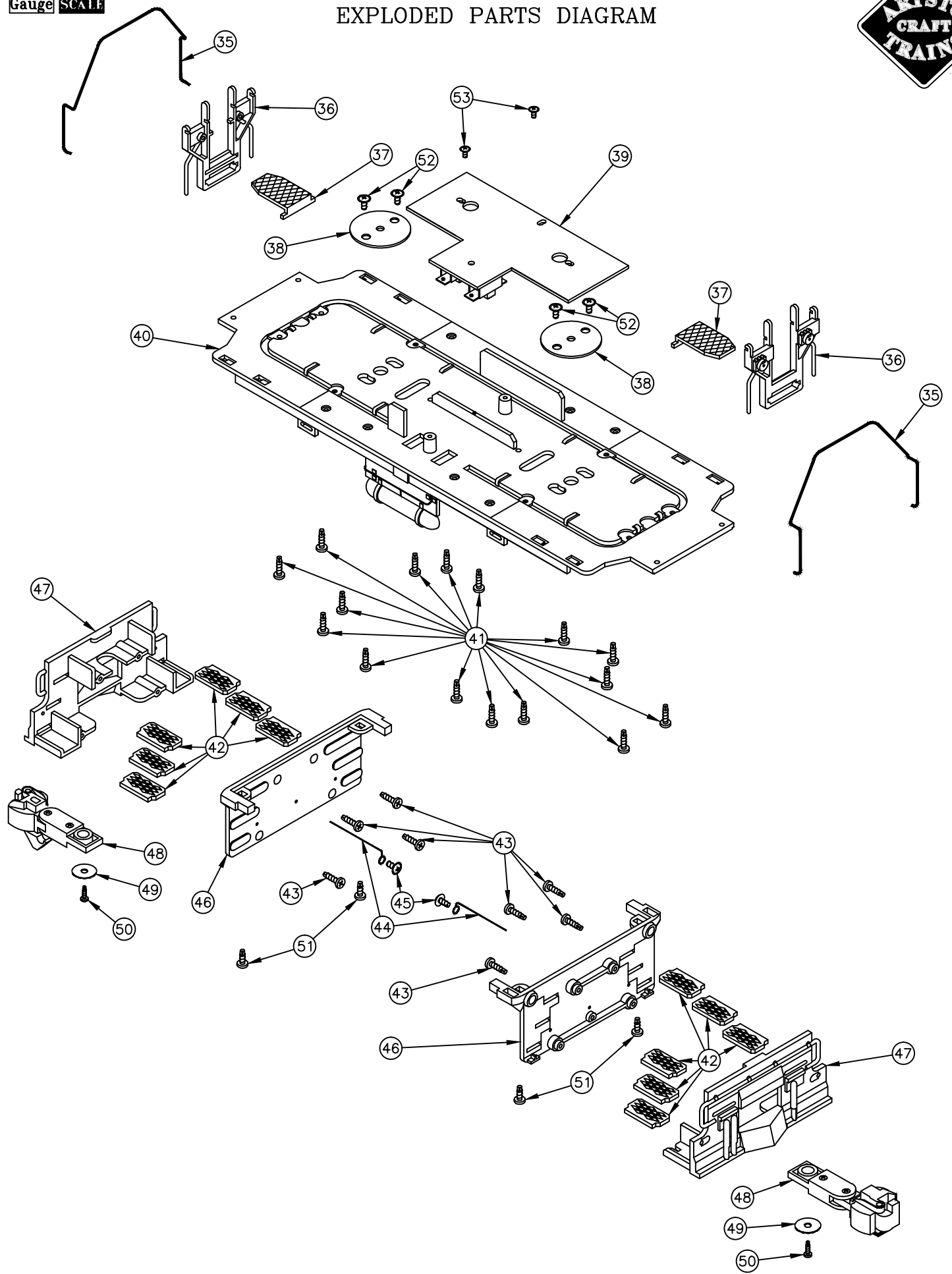
ART-22600 SERIES CENTER CAB DIESEL LOCOMOTIVE

EXPLODED PARTS DIAGRAM

#1 Gauge **1:29** SCALE



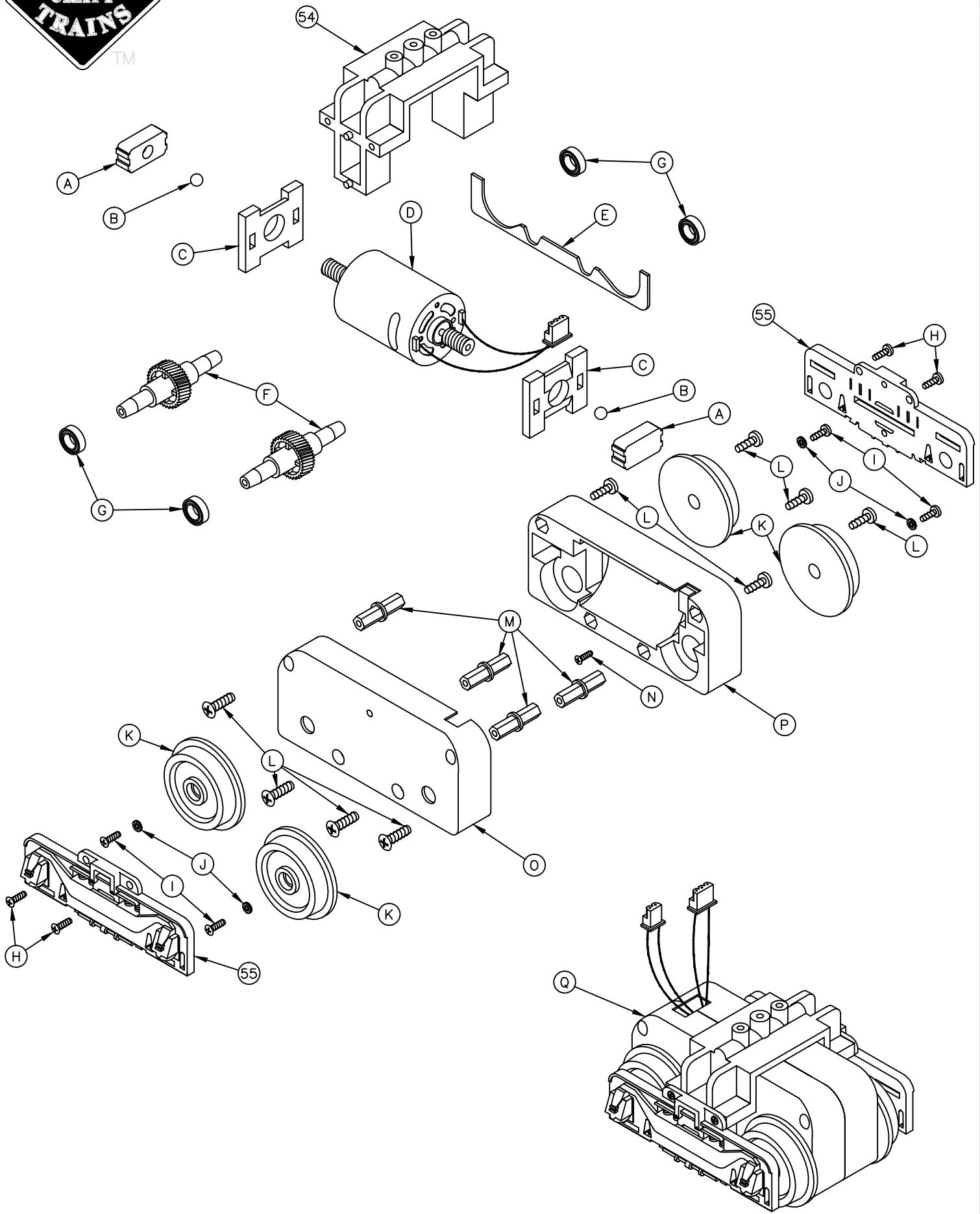
ART-22600 SERIES CENTER CAB DIESEL LOCOMOTIVE EXPLODED PARTS DIAGRAM



ART-22600 SERIES CENTER CAB DIESEL LOCOMOTIVE

EXPLODED PARTS DIAGRAM

#1 Gauge **1:29** SCALE



ART-22600 SERIES CENTER CAB DIESEL LOCOMOTIVE

PARTS LIST-ORDER FORM



SPECIFY ROADNAME/ART#: _____ Insert Quantity

Part #	Description *	Price	Quantity Ordered
① 22600-01	Instruction Manual		
② 22600-02	Cab		
③ 22600-03	Rear Hood		
④ 22600-04	Front Hood		
⑤ 22600-05	Small Ladder Iron		
⑥ 22600-06	L.H. Battery Box		
⑦ 22600-07	R.H. Battery Box		
⑧ 22600-08	L.H. Hand Rail Stanchion		
⑨ 22600-09	R.H. Hand Rail Stanchion		
⑩ 22600-10	Marker Lights		
⑪ 22600-11	Horn		
⑫ 22600-12	Grab Iron		
⑬ 22600-13	L.H. Hood Grab Rail		
⑭ 22600-14	R.H. Hood Grab Rail		
⑮ 22600-15	Cab Light Housing		
⑯ 22600-16	Cab Light Housing Screw		
⑰ 22600-17	Cab Retainer Bracket		
⑱ 22600-18	Cab Retainer Bracket Screw		
⑲ 22600-19	Exhaust Stack		
⑳ 22600-20	Small Ladder Iron		
㉑ 22600-21	Large Ladder Iron		
㉒ 22600-22	Brake Wheel		
㉓ 22600-23	Number Board		
㉔ 22600-24	Number Board Screw		
㉕ 22600-25	Front Module (2 bulb)		
㉖ 22600-26	Rear Module (single bulb)		
㉗ 22600-27	Fireman Side Window		
㉘ 22600-28	Engineer Side Window		
㉙ 22600-29	Cab Forward Window		
㉚ 22600-30	Cab Rear Window		
㉛ 22600-31	Engineer		
㉜ 22600-32	Crew Seats		
㉝ 22600-33	Cab Floor and Control Stand		
㉞ 22600-34	Cab Floor and Control Stand Screw		
㉟ 22600-35	Front and Rear Hand Rails		
㊱ 22600-36	Front and Rear Crossover and MU Housing		
㊲ 22600-37	Front and Rear Crossover Plank		
㊳ 22600-38	"A" Frame Retainer		
㊴ 22600-39	Circuit Board		
㊵ 22600-40	Chassis		
㊶ 22600-41	Cab/Front/Rear Hood Retainer Screw		
㊷ 22600-42	Front and Back Steps		
㊸ 22600-43	Front and Back Pilot Screw		
㊹ 22600-44	Coupler Centering Spring		
㊺ 22600-45	Coupler Centering Spring Screw		
㊻ 22600-46	Front and Back Step and Pilot Mount		
㊼ 22600-47	Front and Back Pilot		
㊽ ART29201	Knuckle Coupler		
㊾ 22600-49	Coupler Mount Washer		
㊿ 22600-50	Coupler Mount Screw		
Ⓚ 22600-51	Front and Back Pilot Screw		
Ⓛ 22600-52	"A" Frame Retainer Screw		
Ⓜ 22600-53	Circuit Board Screw		
Ⓨ 22600-54	"A" Frame		
Ⓩ 22600-55	Left and Right Side Frame		
ⓐ 22600-56			
ⓑ 22600-57	Motor Bearing		
ⓒ 22600-58	Motor Mounting Bracket		
ⓓ 22600-59	Motor		
ⓔ 22600-60			
ⓕ 22600-61	Geared Axle		
ⓖ 22600-62	Wheel Bearing		
ⓗ 22600-63	Side Frame Mounting Screw		
Ⓢ 22600-64	Wheel Mounting Screw		
Ⓣ 22600-65	Wheel Mounting Lock Washer		
Ⓤ 22600-66	Wheel		
Ⓥ 22600-67	Motor Block Frame Screw		
Ⓦ 22600-68	Spacer		
Ⓧ 22600-69			
Ⓨ 22600-70	Motor Block Frame (L.H.)		
Ⓩ 22600-71	Motor Block Frame (R.H.)		
ⓐ 22600-72	Motor Truck Assembly w/o Side Frame and "A" Frame		

*one piece unless otherwise noted

RETURN THIS FORM WITH YOUR ORDER
A REPLACEMENT FORM WILL BE SENT WITH YOUR ORDER

NOTE: When ordering replacement parts or repair request, please refer to proper 5 or 7 digit number listed.

XX refers to last two digits of roadname ART freight car number when part is painted to match, i.e. ART-22602 B&O. 22602-02 would then refer to CAB for B&O CENTER CAB DIESEL LOCOMOTIVE ART-22602. If part is same FOR ALL CENTER CAB DIESEL LOCOMOTIVES, 22600-plus 2 digit number would then be used to denote specific part, i.e. 22600-40 CHASSIS. When part is same FOR ALL CENTER CABS and OTHER FREIGHT CARS, 29200 (or other # plus 2 digit number) would be used to denote specific part regardless of roadname/car type. Please specify roadname/ART# on line above part# list.

Unpainted/painted part(s) will be substituted if the painted to match part(s) ordered are not available.

In addition to Price Each shown please enclose...
\$5.00 shipping/handling if part order is less than \$10.00 or \$10.00 shipping/handling if part order is \$10.00 or more.
This is for part order only. Not WARRANTY order.

Include proper payment for parts plus shipping/handling with your (USA Bank Account Only) check/money order payable in US Dollars (\$) to: Polk's Hobbies. Please DO NOT SEND CASH. Sorry no C.O.D.'s for parts.

New Jersey residents add 6% NJ State Sales Tax.

Be Sure to include your name, street address (no Post Office Box please), city, state (or province), country (if outside USA), and postal zip code, along with daytime phone number including Area Code, so that you may be contacted if necessary.

Mail order form and payment to:

ARISTO-CRAFT TRAINS/Polk's Modelcraft Hobbies, Inc.
698 South 21st Street
Irvington, NJ 07111-4109 USA

Allow 4-6 weeks for processing and delivery.

PLEASE PRINT CLEARLY

NAME: _____

ADDRESS _____

CITY: _____ STATE: _____ ZIP _____

PHONE: (_____) - _____ - _____