



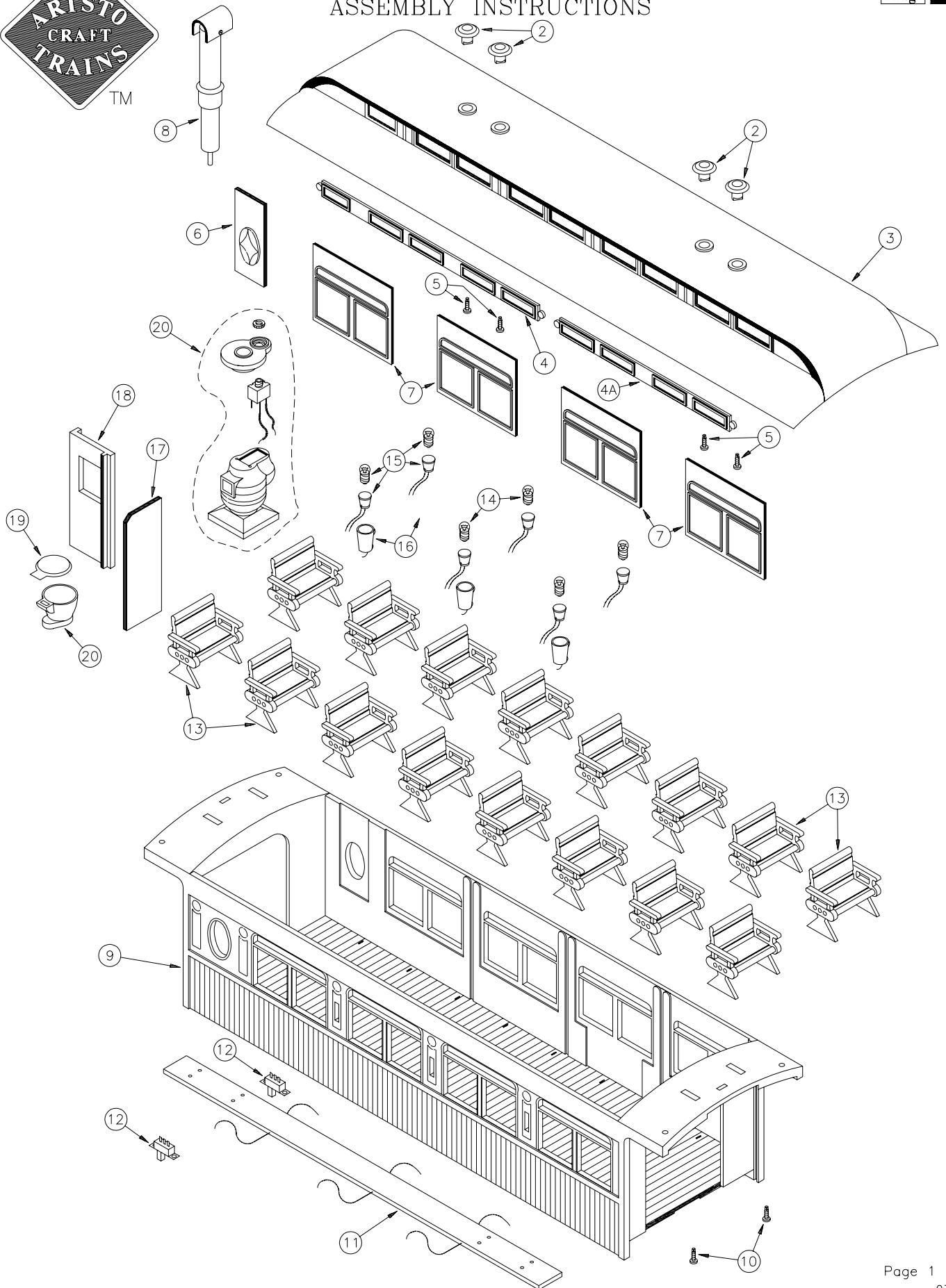
# ART-31200 SERIES PASSENGER CAR OBSERVATION (WOOD) ASSEMBLY INSTRUCTIONS

#1 Gauge 1:29 SCALE

+

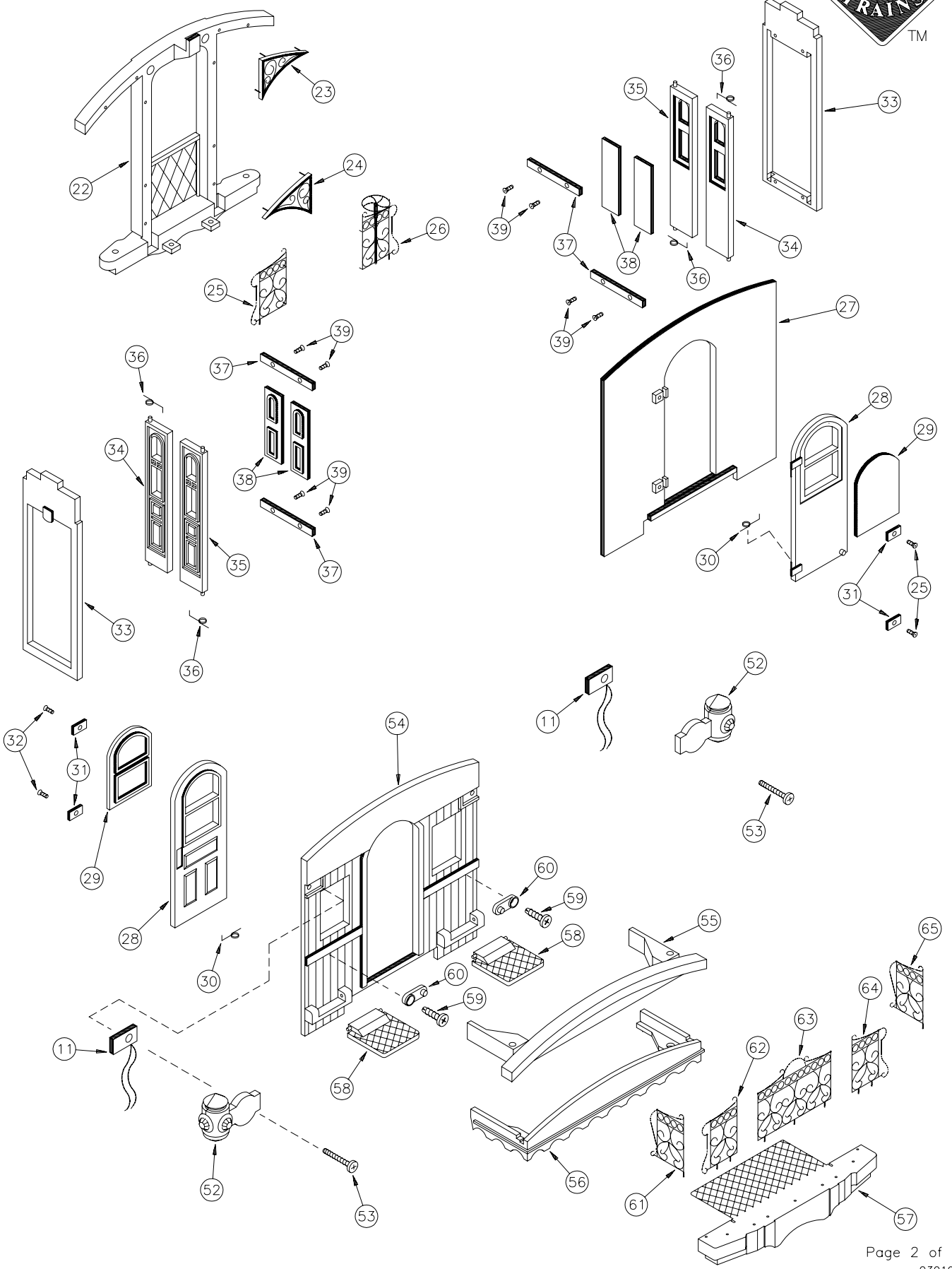
+

+



#1 Gauge 1:29 SCALE

# ART-31200 SERIES PASSENGER CAR OBSERVATION (WOOD) ASSEMBLY INSTRUCTIONS





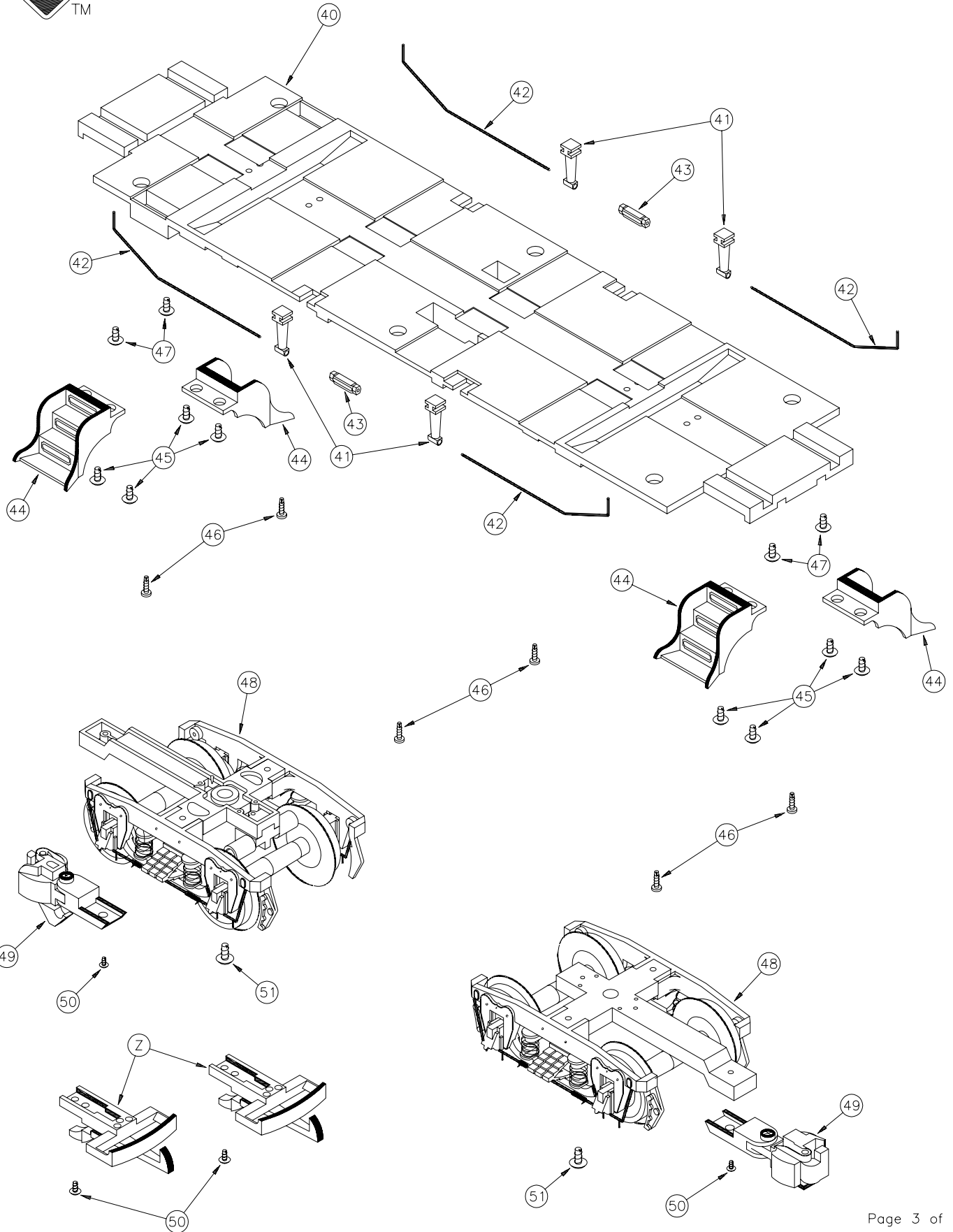
# ART-31200 SERIES PASSENGER CAR OBSERVATION (WOOD) ASSEMBLY INSTRUCTIONS

#1 Gauge 1:29 SCALE

+

+

+



# ART-31200 SERIES PASSENGER CAR OBSERVATION (WOOD)

## PARTS LIST-ORDER FORM



SPECIFY ROADNAME/ART#: \_\_\_\_\_ Insert Quantity Ordered

PLEASE RETURN THIS FORM WITH YOUR ORDER  
A REPLACEMENT FORM WILL BE SENT WITH YOUR ORDER

Part #	Description *	Price	Quantity Ordered
① 31200-01	Instruction Manual		
② 31200-02	Roof Vent		
③ 312XX-03	Roof		
④ 31200-04	Window Lights (5 pane)		
⑤ 31200-04A	Window Lights (4 pane)		
⑥ 31200-05	Roof Vent Screw		
⑦ 31200-06	Oval Window		
⑧ 31200-07	Car Windows		
⑨ 29304	Smoke Unit Sierra		
⑩ 312XX-09	Car Body		
⑪ 31200-10	Roof Screw		
⑫ 31200-11	Circuit Board		
⑬ 31200-12	Accessory Switch		
⑭ 29700	Chair		
⑮ 29502	Light Bulb (Bag of 10)		
⑯ 29503	Socket Set W/Bulb (Bag of 2)		
⑰ 31200-16	Lamp Holder (ea.)		
⑱ 31200-17	Rest Room Wall		
⑲ 31200-18	Rest Room Door		
⑳ 31200-19	Cammode Lid		
㉑ 31200-20	Cammode		
㉒ 29311	Stove		
㉓ 312XX-22	Car End		
㉔ 31200-23	L.H. Filiagree		
㉕ 31200-24	R.H. Filiagree		
㉖ 31200-25	Platform End Rail		
㉗ 31200-26	Platform End Rail w/Brake Wheel		
㉘ 312XX-27	Coach End		
㉙ 312XX-28	Coach End Door		
㉚ 31200-29	Coach End Door Window		
㉛ 31200-30	Coach End Door Spring		
㉜ 31200-31	Door Pivot Block		
㉝ 31200-32	Door Pivot Block Screw		
㉞ 312XX-33	Vestibule Door Frame		
㉟ 312XX-34	L.H. Vestibule Door		
㊱ 312XX-35	R.H. Vestibule Door		
㊲ 31200-36	Vestibule Door Spring		
㊳ 31200-37	Vestibule Door Pivot Block		
㊴ 31200-38	Vestibule Door Window Pane		
㊵ 31200-39	Vestibule Door Pivot Screw		
㊶ 31200-40	Car Chassis		
㊷ 31200-41	Truss Rod Post		
㊸ 31200-42	Truss Rod		
㊹ 31200-43	Turnbuckle		
㊺ 31200-44	Step		
㊻ 31200-45	Step Screw		
㊼ 31200-46	Chassis to Body Screw		
㊽ 31200-47	Chassis to Car End Screw		
㊾ 29107	Truck Sierra Passenger (Pair)		
㊿ 29200	Knuckle Coupler (Pair)		
① 31200-50	Coupler Screw		
② 31200-51	Bolster Screw		
③ 29504	Marker Light		
④ 31200-53	Screw		
⑤ 31200-54	Observation End		
⑥ 31200-55	Soffit		
⑦ 31200-56	Awning		
⑧ 31200-57	End Platform		
⑨ 31200-58	Step Cover		
⑩ 31200-59	Screw		
⑪ 31200-60	Step Cover Latch		
⑫ 31200-61	Left Hand Gate		
⑬ 31200-62	Left Platform Railing		
⑭ 31200-63	Center Platform Railing		
⑮ 31200-64	Right Platform Railing		
⑯ 31200-65	Right Hand Gate		
⑰ 29107-1	Bolster		
⑱ 29107-2	Upper Side Frame		
⑲ 29107-3	Lower Side Frame		
㉑ 29107-4	Springs		
㉒ 29107-5	Side Frame Screw		
㉓ 29107-6	Torsion Bar		
㉔ 29107-7	Torsion Bar Screw		
㉕ 29107-8	Bolster Screw		
㉖ 29107-9	Brush		
㉗ 29401	Brush Assembly		
㉘ 29107-10	Brush Spring		
㉙ 29111	Metal Wheel Set (4 Axles-8 Wheels)		
㉚ 29200	Coupler-Knuckle (2 pcs.)		
㉛ 29101-69	Plastic Loop/Hook Couplers (2 pcs.)		
㉜ 31200-99	Parts List-Order Form		

\* one piece unless otherwise noted

NOTE: When ordering replacement parts or repair request, please refer to proper 5 or 7 digit part number listed.

XX refers to last two digits of roadname ART freight car number when part is painted to match, i.e. ART-31202 B & O. 31202-09 would then refer to OBSERVATION BODY for B & O SIERRA PASSENGER OBSERVATION ART-31200. If part is same FOR ALL SIERRA PASSENGER OBSERVATIONS, 31200- plus 2 digit number would be used to denote specific part, i.e. 31200-40 CAR CHASSIS. When part is same FOR ALL SIERRA PASSENGER CARS, 29200 (or other #-plus 2 digit number) would be used to denote specific part regardless of roadname/car type. Please specify roadname/ART# on line above part# list.

UNPAINTED/PAINTED PART(S) WILL BE SUBSTITUTED IF THE PAINTED TO MATCH PART(S) ORDERED ARE NOT AVAILABLE.

In addition to Price Each shown please enclose...  
\$5.00 shipping/handling if part order is less than \$10.00 or  
\$10.00 shipping/handling if part order is \$10.00 or more.  
This is for normal part order only. WARRANTY order does not apply.

Include proper payment for parts plus shipping/handling with your (USA Bank Account Only) check/money order payable in US Dollars (\$) to: Polk's Model Craft Hobbies Inc. PLEASE DO NOT SEND CASH. Sorry no C.O.D.'s for parts.

New Jersey residents add 6% NJ State Sales Tax.

Be Sure to include your name, street address (UPS will not deliver to P.O. Boxes), city, state (or province), country (if outside USA), and postal zip code, along with daytime phone number including area code, so that you may be contacted if necessary.

Mail order form and payment to:

ARISTO-CRAFT TRAINS/Polk's Modelcraft Hobbies, Inc.  
698 South 21st Street  
Irvington, NJ 07111-4109 USA

Allow 4-6 weeks for processing and delivery.

PLEASE PRINT CLEARLY

NAME: \_\_\_\_\_

ADDRESS \_\_\_\_\_

CITY: \_\_\_\_\_ STATE: \_\_\_\_\_ ZIP \_\_\_\_\_

PHONE: (\_\_\_\_\_) - \_\_\_\_\_ - \_\_\_\_\_

