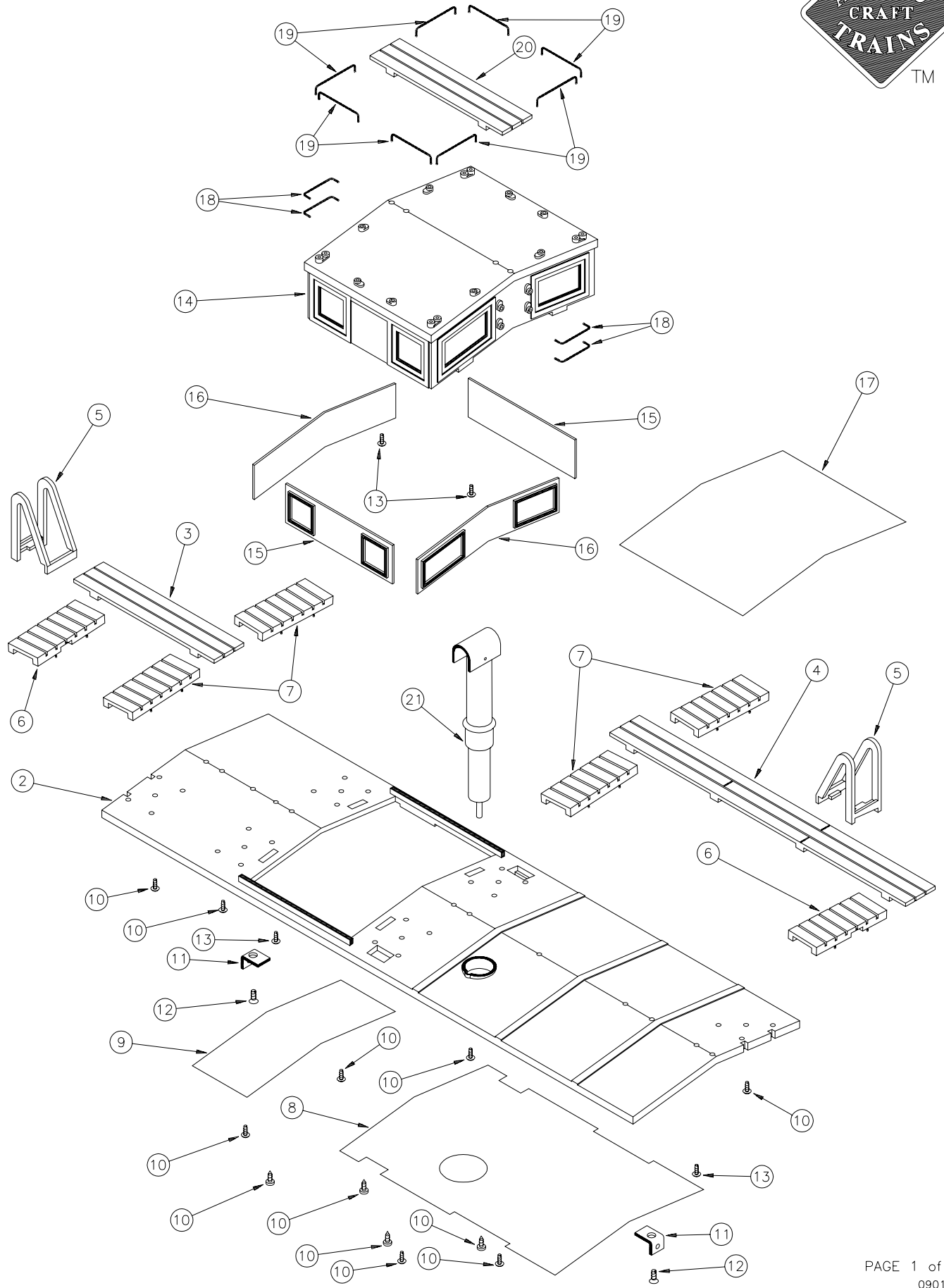


#1 Gauge 1:29 SCALE

ART-42100 SERIES STEEL CABOOSE

EXPLODED PARTS DIAGRAM



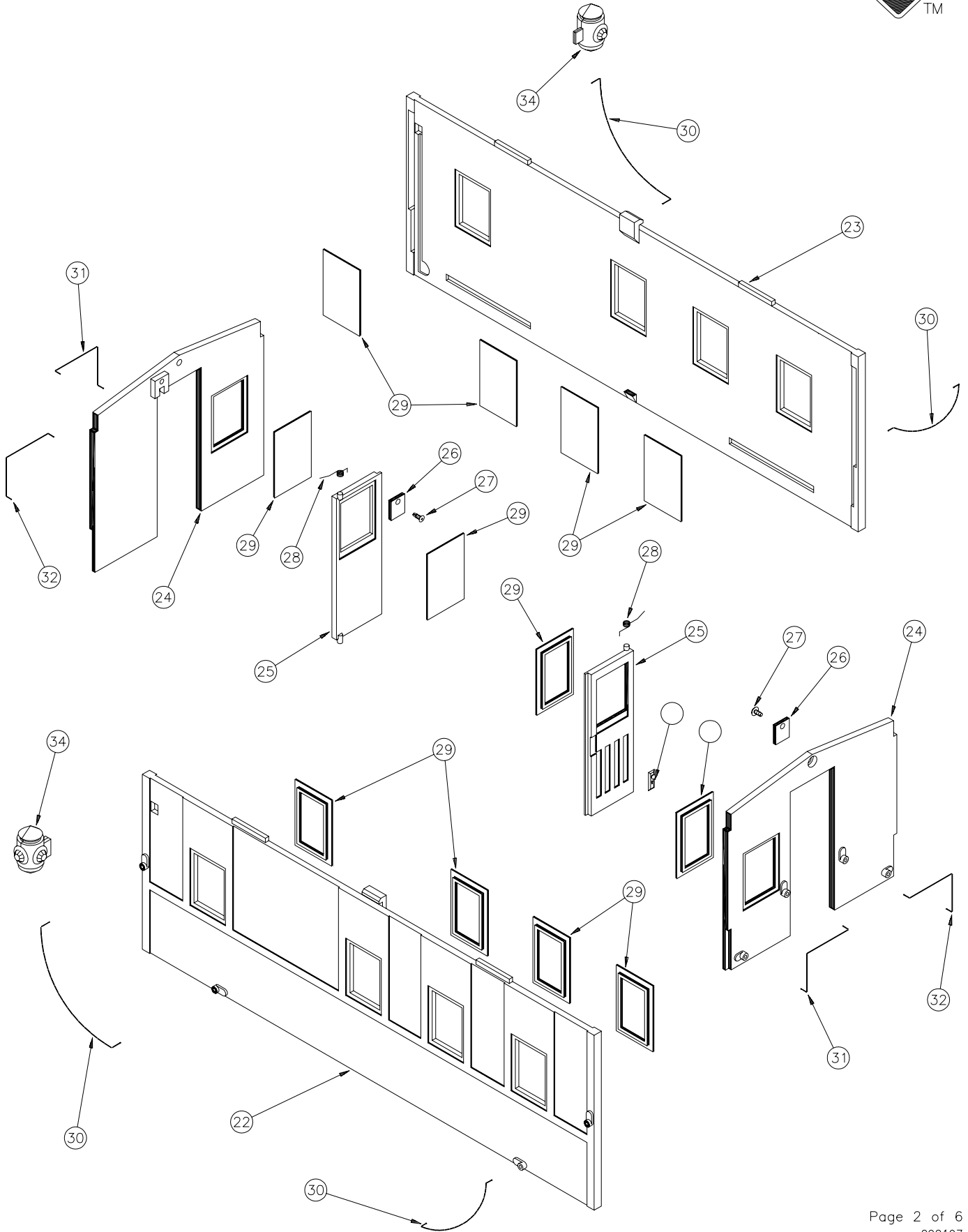
+

+

+

ART-42100 SERIES STEEL CABOOSE

EXPLODED PARTS DIAGRAM



ART-42100 SERIES STEEL CABOOSE

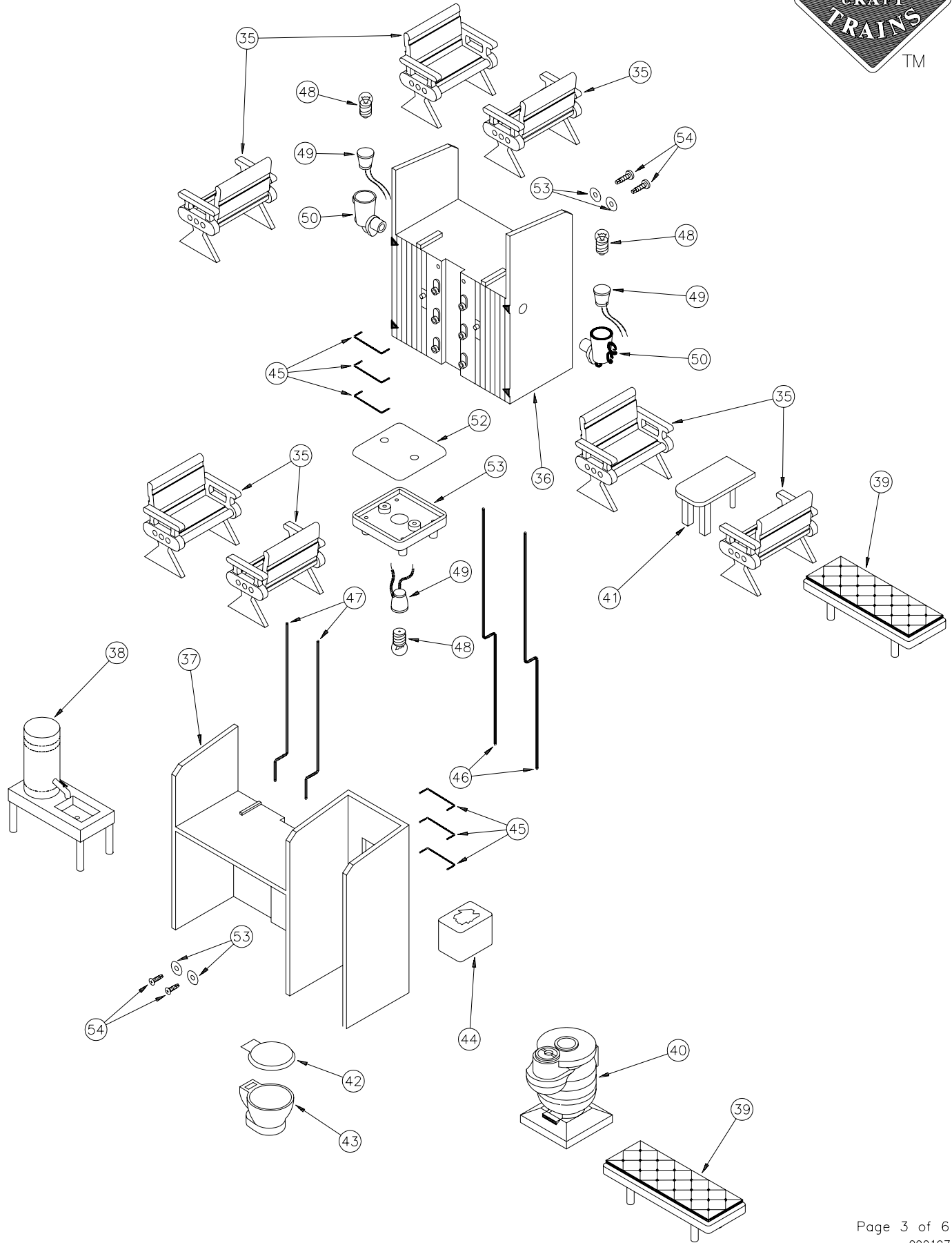
EXPLODED PARTS DIAGRAM



+

+

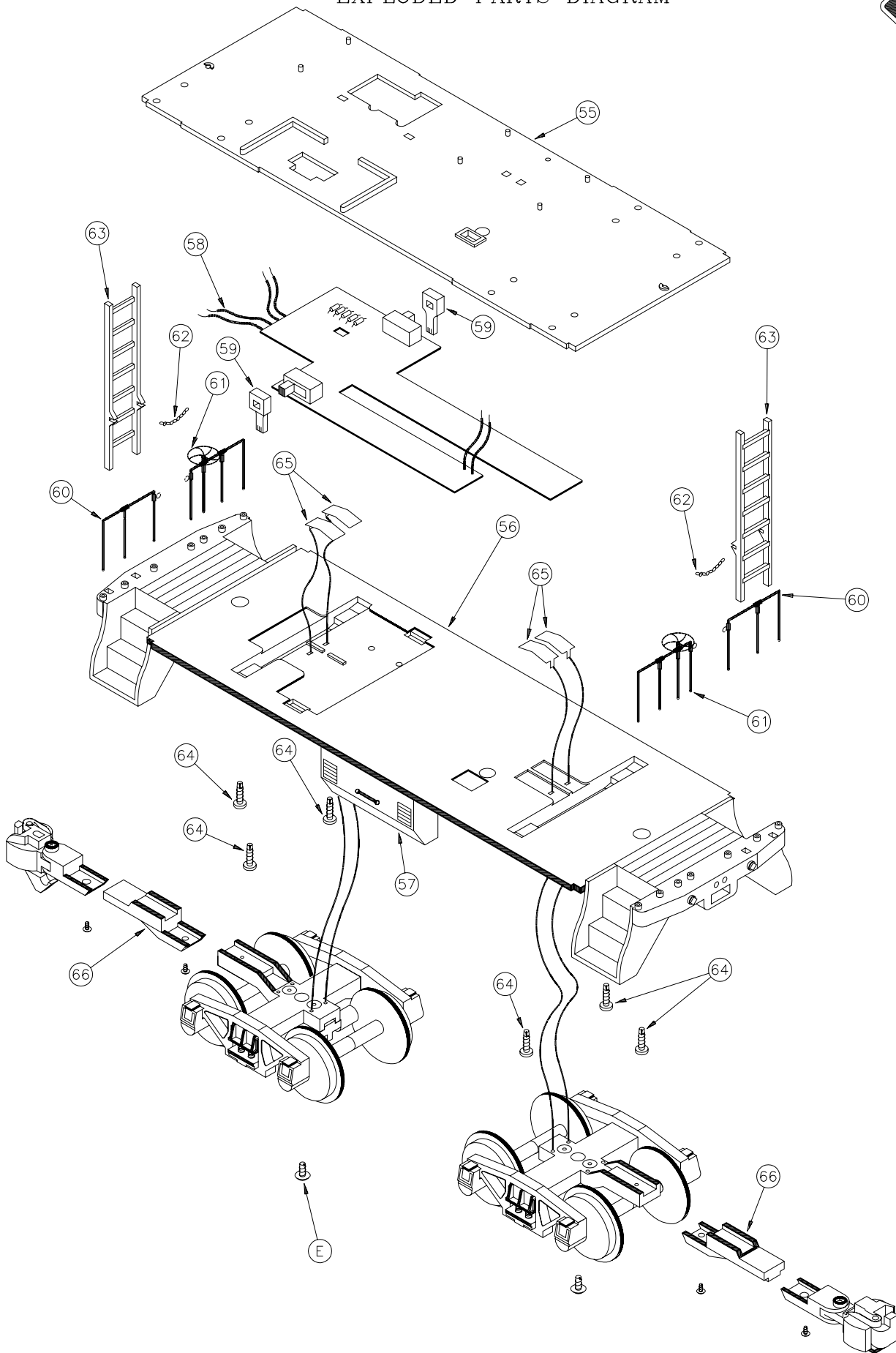
+



#1 1:29
Gauge SCALE

ART-42100 SERIES STEEL CABOOSE

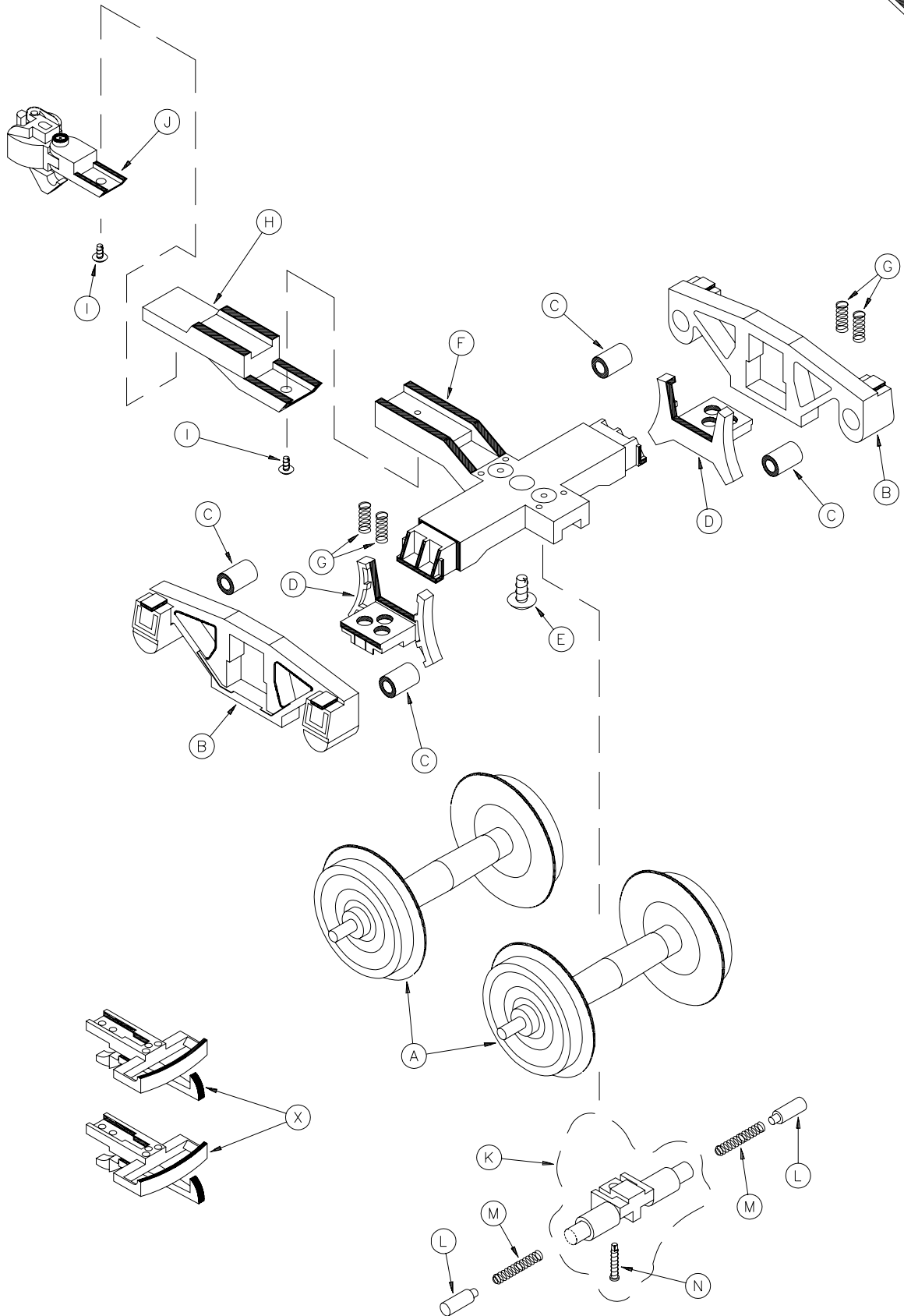
EXPLODED PARTS DIAGRAM



#1 Gauge 1:29 SCALE

ART-42100 SERIES STEEL CABOOSE

EXPLODED PARTS DIAGRAM



ART-42100 SERIES STEEL CABOOSE

PARTS LIST-ORDER FORM



SPECIFY ROADNAME/ART#: _____ Insert Quantity Ordered

RETURN THIS FORM WITH YOUR ORDER
A REPLACEMENT FORM WILL BE SENT WITH YOUR ORDER



Part #	Description *	Price	Quantity Ordered
1	42100-01 Instruction Manual		
2	42100-02 Roof		
3	42100-03 Medium Roof Walk		
4	42100-04 Long Roof Walk		
5	42100-05 Ladder Loops		
6	42100-06 Ladder Roof Walk		
7	42100-07 Short Roof Walk		
8	42100-08 Large Roof Light Reflector		
9	42100-09 Small Roof Light Reflector		
10	42100-10 Roof Walk Retainer Screw		
11	42100-11 Roof Retainer Bracket		
12	42100-12 Roof Retainer Bracket Screw		
13	42100-13 Copula Retaining Screw		
14	42100-14 Copula		
15	42100-15 Copula Side Windows		
16	42100-16 Copula Front and Rear Windows		
17	42100-17 Copula Roof Light Reflector		
18	42100-18 Copula Face Grab Irons		
19	42100-19 Copula Roof Grab Irons		
20	42100-20 Copula Roof Walk		
21	ART29300 Smoke Unit		
22	42100-22 Car Right Hand Side		
23	42100-23 Car Left Hand Side		
24	42100-24 Car End		
25	42100-25 Door		
26	42100-26 Door Spring Retainer		
27	42100-27 Door Spring Retainer Screw		
28	42100-28 Door Spring		
29	42100-29 Car Body Windows		
30	42100-30 Car Side Grab Iron		
31	42100-31 Car End "A" Grab Iron		
32	42100-32 Car End "B" Grab Iron		
33	42100-33 Door Knob		
34	ART29500 Marker Light		
35	ART29700 Chairs		
36	42100-36 R.H. Locker		
37	42100-37 L.H. Locker		
38	ART29701 Water Can and Sink		
39	ART29701 Cot		
40	42100-40 Stove (Smoke Unit Base)		
41	ART29701 Desk		
42	42100-42 Commode Lid		
43	42100-43 Commode		
44	42100-44 Box		
45	42100-45 Ladder Rung		
46	42100-46 L.H. Grab Iron		
47	42100-47 R.H. Grab Iron		
48	ART29502 Light Bulb		
49	ART29503 Light Bulb Socket		
50	42100-50 Light Bulb Holder		
51	42100-51 Copula Light Holder		
52	42100-52 Copula Light Holder Cover		
53	42100-53 Locker Retainer Washer		
54	42100-54 Locker Retainer Screw		
55	42100-55 Car Floor		
56	42100-56 Car Chassis		
57	42100-57 Battery and Tool Box		
58	42100-58 Circuit Board		
59	42100-59 On Off Switch Extensions		
60	42100-60 Rear Hand Rail		
61	42100-61 Hand Wheel W/ Brake Wheel		
62	42100-62 Safety Chain		
63	42100-63 Roof Ladder		
64	42100-64 Car Body Retainer Screw		
65	42100-65 Truck to Circuit Board Contact Points		
66	42100-66 Coupler Extensions		
A	ART29111B Steel Wheel Set (2 Axles-4 Wheels)		
B	29101-02 Sideframe		
C	29101-03 Axle Bushing (2 pcs.)		
D	29101-04 Spring Holder w/ Brakeshoes		
E	29101-86 Bolster Truck Screw		
F	29101-06 Bolster		
G	29101-99 Freight Truck Springs (2 pcs.)		
H	29101-07 Coupler Extension		
I	29101-99 Coupler or Extension Mount Screw		
J	ART29200 Coupler		
K	ART29401 Brush Assembly		
L	ART29408 Brush		
M	ART29409 Spring		
N	2910108 Brush Assembly Mounting Screw		
	42100-99 Parts List-Order Form		

*one piece unless otherwise noted

NOTE: When ordering replacement parts or repair request, please refer to proper 5 or 7 digit number listed.

XX refers to last two digits of roadname ART freight car number when part is painted to match, i.e. ART-42114 NEW YORK CENTRAL. 42114-14 would then refer to the CUPOLA for NEW YORK CENTRAL STEEL CABOOSE ART-42114. If part is same FOR ALL STEEL CABOOSES, 42100-plus 2 digit number would be used to denote specific part, i.e. 42100-56 CAR CHASSIS. When part is same FOR STEEL CABOOSES and OTHER FREIGHT CARS, 29200 (or other #-plus 2 digit number) would be used to denote specific part regardless of roadname/car type. Please specify roadname/ART# on line above part# list.

Unpainted/painted part(s) will be substituted if the painted to match part(s) ordered are not available.

In addition to Price Each shown please enclose...
\$5.00 shipping/handling if part order is less than \$10.00 or
\$10.00 shipping/handling if part order is \$10.00 or more.
This is for part order only. Not WARRANTY order.

Include proper payment for parts plus shipping/handling with your (USA Bank Account Only) check/money order payable in US Dollars (\$) to: Polk's Hobbies. Please DO NOT SEND CASH. Sorry no C.O.D.'s for parts.

New Jersey residents add 6% NJ State Sales Tax.

Be Sure to include your name, street address (no Post Office Box please), city, state (or province), country (if outside USA), and postal zip code, along with daytime phone number including Area Code, so that you may be contacted if necessary.

Mail order form and payment to:

ARISTO-CRAFT TRAINS/Polk's Modelcraft Hobbies, Inc.
698 South 21st Street
Irvington, NJ 07111-4109 USA

Allow 4-6 weeks for processing and delivery.

PLEASE PRINT CLEARLY

NAME: _____

ADDRESS _____

CITY: _____ STATE: _____ ZIP _____

PHONE: (_____) - _____ - _____

