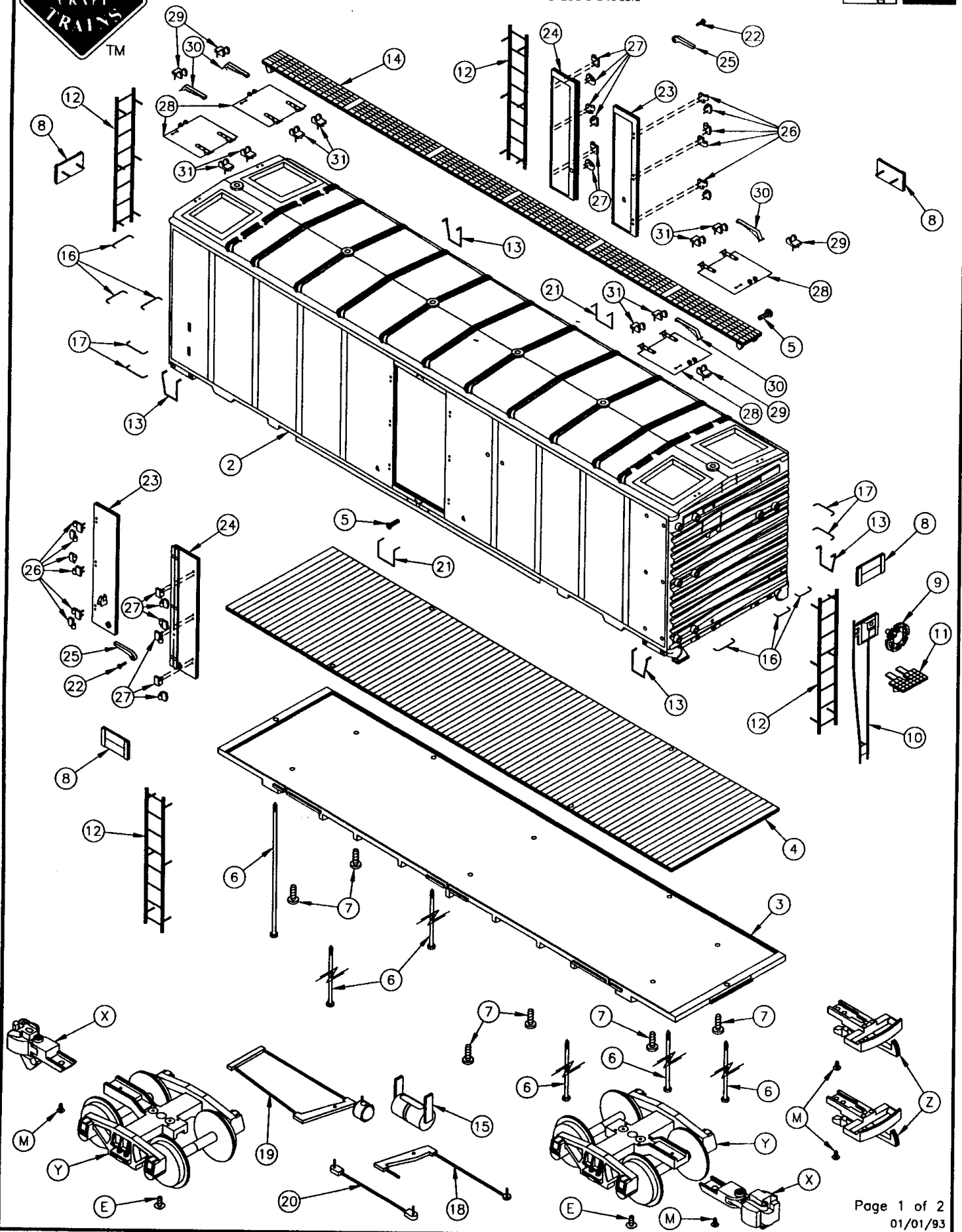




ART-46200 SERIES REEFER (STEEL)

EXPLODED PARTS DIAGRAM

#1 Gauge 1:29 SCALE



#1 1:29 ART-46200 SERIES REEFER (STEEL)

Gauge SCALE PARTS LIST-ORDER FORM



SPECIFY ROADNAME/ART#: _____ Insert Quantity

Part #	Description *	Price	Quantity Ordered
①	46200-01 Instruction Manual		
②	462XX-02 Refrigerator Car Body (Except LTD./Special editions)		
③	46000-03 Underframe		
④	46000-04 Floor		
⑤	46000-80 Body Side Screw (2 pcs.)		
⑥	46000-81 Body Long Screw		
⑦	46000-82 Underframe Screw (2 pcs.)		
⑧	46000-10 Placard Holder		
⑨	46000-11 Brakewheel		
⑩	46000-12 Brakewheel Post/Pipe		
⑪	46000-13 Brakewheel Platform		
⑫	46000-14 End/Side Ladder		
⑬	46000-15 Step Left/Right (pair)		
⑭	46000-16 Long Roofwalk		
⑮	46000-18 Air Tank		
⑯	46000-19 Brass Grabrailing-End		
⑰	46000-20 Brass Grabrailing-Small, Side		
⑱	46000-21 Brake Rigging		
⑲	46000-22 Brake Piston		
⑳	46000-23 Brake Linkage		
㉑	46200-25 Brass Door Step		
㉒	46200-83 Door Handle Screw		
㉓	462XX-27 Left Side Door		
㉔	462XX-28 Right Side Door		
㉕	46200-30 Door Handle		
㉖	46200-31 Door Hinge-Left Side Set (pair)		
㉗	46200-32 Door Hinge-Right Side Set (pair)		
㉘	46200-33 Roof Hatch Door		
㉙	46200-34 Roof Hatch Hasp		
㉚	46200-35 Roof Hatch Handle		
㉛	46200-36 Roof Hatch Hinge		
㉜	29104 Plastic Wheel Set (2 Axles-4 Wheels)		
㉝	29101-02 Sideframe		
㉞	29101-03 Axle Bushing (2 pcs.)		
㉟	29101-04 Spring Holder w/Brakeshoes		
㊱	29101-86 Bolster Truck Screw		
㊲	29101-06 Bolster		
㊳	29101-99 Freight Truck Springs (2 pcs.)		
㊴	29200-02 Coupler Drawhead Shank		
㊵	29200-03 Shank Pivot		
㊶	29200-04 Centering Spring		
㊷	29200-85 Centering Screw		
㊸	29200-06 Coupler Mounting Bracket		
㊹	29200-87 Mounting Screw		
㊺	29200-08 Centering Shaft		
㊻	29200-09 Drawhead Spring		
㊼	29200-10 Knuckle Tab		
㊽	29200-11 Knuckle Spring		
㊾	29200-12 Knuckle Head		
㊿	29200-13 Drawhead Bottom Plate		
1	29200-84 Plate Mounting Screw (2 pcs.)		
2	29200 Coupler-Knuckle (2 pcs.)		
3	29101 Truck, Freight w/Plastic Wheels w/o coupler (pair)		
4	29101-69 Plastic Loop/Hook Couplers (2 pcs.)		
5	46200-99 Parts List-Order Form		

* one piece unless otherwise noted

RETURN THIS FORM WITH YOUR ORDER
A REPLACEMENT FORM WILL BE SENT WITH YOUR ORDER

NOTE: When ordering replacement parts or repair request, please refer to proper 5 or 7 digit number listed.

XX refers to last two digits of roadname ART freight car number when part is painted to match, i.e. ART-46213 BALLANTINE BEER. 46213-27 would then refer to LEFT SIDE DOOR for BALLANTINE BEER REEFER CAR ART-46213. If part is same FOR ALL FORTY-FOOT STEEL REEFER CARS, 46200-plus 2 digit number would be used to denote specific part, i.e. 46200-99 PARTS LIST-ORDER FORM. When part is the same FOR ALL FORTY-FOOT STEEL REEFER CARS AND OTHER FREIGHT CARS, 46000 (or other)-plus 2 digit number would be used to denote specific part regardless of roadname/car type. Please specify roadname/ART# on line above part# list.

Unpainted/painted part(s) will be substituted if the painted to match part(s) ordered are not available.

In addition to Price shown please enclose...
\$5.00 shipping/handling if part order is less than \$10.00 or
\$10.00 shipping/handling if part order is \$10.00 or more.
This is for part order only. Not WARRANTY order.

Include proper payment for parts plus shipping/handling with your (USA Bank Account Only) check/money order payable in US Dollars (\$) to: Polk's Hobbies. Please DO NOT SEND CASH. Sorry no C.O.D.'s for parts.

New Jersey residents add 6% NJ State Sales Tax.

Be Sure to include your name, street address (no Post Office Box please), city, state (or province), country (if outside USA), and postal zip code, along with daytime phone number including Area Code, so that you may be contacted if necessary.

Mail order form and payment to:

ARISTO-CRAFT TRAINS/Polk's Modelcraft Hobbies, Inc.
698 South 21st Street
Irvington, NJ 07111-4109 USA

Allow 4-6 weeks for processing and delivery.

PLEASE PRINT CLEARLY

NAME: _____

ADDRESS _____

CITY: _____ STATE: _____ ZIP _____

PHONE: (____) - ____ - _____

