

#1 Gauge 1:29 SCALE

ART-46300 SERIES FLAT CAR (STAKE)

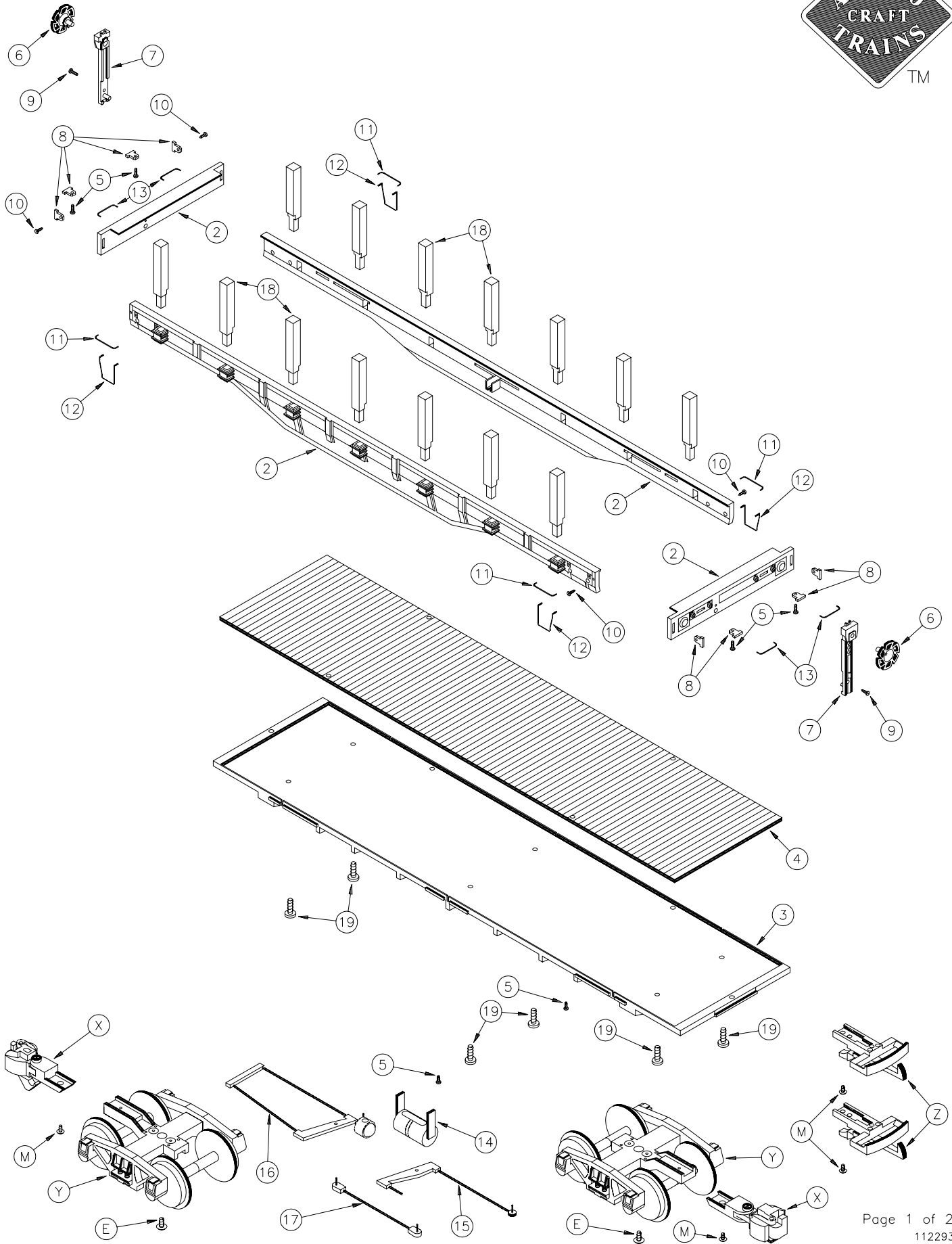
EXPLODED PARTS DIAGRAM



+

+

+



ART-46300 SERIES FLAT CAR (STAKE)

PARTS LIST-ORDER FORM



SPECIFY ROADNAME/ART#: _____ Insert Quantity Ordered

RETURN THIS FORM WITH YOUR ORDER
A REPLACEMENT FORM WILL BE SENT WITH YOUR ORDER

Part #	Description *	Price	Quantity Ordered
① 46300-01	Instruction Manual		
② 463XX-02	Body Sides/Ends (4 Pcs.)(Except LTD./Special editions)		
③ 46300-03	Underframe		
④ 46000-04	Floor		
⑤ 46300-80	Underframe Screw-Small (pair)		
⑥ 46300-11	Brakewheel		
⑦ 463XX-12	Brakewheel Post		
⑧ 46300-82	Body End Wedge (pair)		
⑨ 46300-86	Brakewheel Post Screw		
⑩ 46300-84	Body Side Screw		
⑪ 46300-20	Brass Grabrailing Small-Body Side		
⑫ 46000-15	Step Left/Right (pair)		
⑬ 46300-19	Brass Grabrailing-Body End		
⑭ 46000-18	Air Tank		
⑮ 46000-21	Brake Rigging		
⑯ 46000-22	Brake Piston		
⑰ 46000-23	Brake Linkage		
⑱ 46300-24	Side Pocket Stake		
⑳ 46300-81	Underframe Screw-Large (pair)		
Ⓐ 29104	Plastic Wheel Set (2 Axles-4 Wheels)		
Ⓑ 29101-02	Sideframe		
Ⓒ 29101-03	Axle Bushing (2 pcs.)		
Ⓓ 29101-04	Spring Holder w/Brakeshoes		
Ⓔ 29101-86	Bolster Truck Screw		
Ⓕ 29101-06	Bolster		
Ⓖ 29101-99	Freight Truck Springs (2 pcs.)		
Ⓗ 29200-02	Coupler Drawhead Shank		
Ⓘ 29200-03	Shank Pivot		
Ⓙ 29200-04	Centering Spring		
Ⓚ 29200-85	Centering Screw		
Ⓛ 29200-06	Coupler Mounting Bracket		
Ⓜ 29200-87	Mounting Screw		
Ⓝ 29200-08	Centering Shaft		
Ⓟ 29200-09	Drawhead Spring		
Ⓠ 29200-10	Knuckle Tab		
Ⓡ 29200-11	Knuckle Spring		
Ⓢ 29200-12	Knuckle Head		
Ⓣ 29200-13	Drawhead Bottom Plate		
Ⓤ 29200-84	Plate Mounting Screw (2 pcs.)		
Ⓧ 29200	Coupler-Knuckle (2 pcs.)		
Ⓨ 29101	Truck, Freight w/Plastic Wheels w/o coupler (pair)		
Ⓩ 29101-69	Plastic Loop/Hook Couplers (2 pcs.)		
46300-99	Parts List-Order Form		

*one piece unless otherwise noted

NOTE: When ordering replacement parts or repair request, please refer to proper 5 or 7 digit number listed.

XX refers to last two digits of roadname ART freight car number when part is painted to match, i.e. ART-46301 WESTERN MARYLAND. 46301-12 would then refer to BRAKEWHEEL POST for WESTERN MARYLAND FLAT CAR (STAKE) ART-46301. If part is same FOR ALL (STAKE) and BULKHEAD FLATCARS, 46300-plus 2 digit number would be used to denote specific part, i.e. 46300-24 STAKE. When part is same FOR ALL FLAT CARS and OTHER FREIGHT CARS, 29200 (or other #-plus 2 digit number) would be used to denote specific part regardless of roadname/car type. Please specify roadname/ART# on line above part# list.

Unpainted/painted part(s) will be substituted if the painted to match part(s) ordered are not available.

In addition to Price Each shown please enclose...
\$5.00 shipping/handling if part order is less than \$10.00 or
\$10.00 shipping/handling if part order is \$10.00 or more.
This is for part order only. Not WARRANTY order.

Include proper payment for parts plus shipping/handling with your (USA Bank Account Only) check/money order payable in US Dollars (\$) to: Polk's Hobbies. Please DO NOT SEND CASH. Sorry no C.O.D.'s for parts.

New Jersey residents add 6% NJ State Sales Tax.

Be Sure to include your name, street address (no Post Office Box please), city, state (or province), country (if outside USA), and postal zip code, along with daytime phone number including Area Code, so that you may be contacted if necessary.

Mail order form and payment to:

ARISTO-CRAFT TRAINS/Polk's Modelcraft Hobbies, Inc.
698 South 21st Street
Irvington, NJ 07111-4109 USA

Allow 4-6 weeks for processing and delivery.

PLEASE PRINT CLEARLY

NAME: _____
ADDRESS _____
CITY: _____ STATE: _____ ZIP _____
PHONE: (_____) - _____

