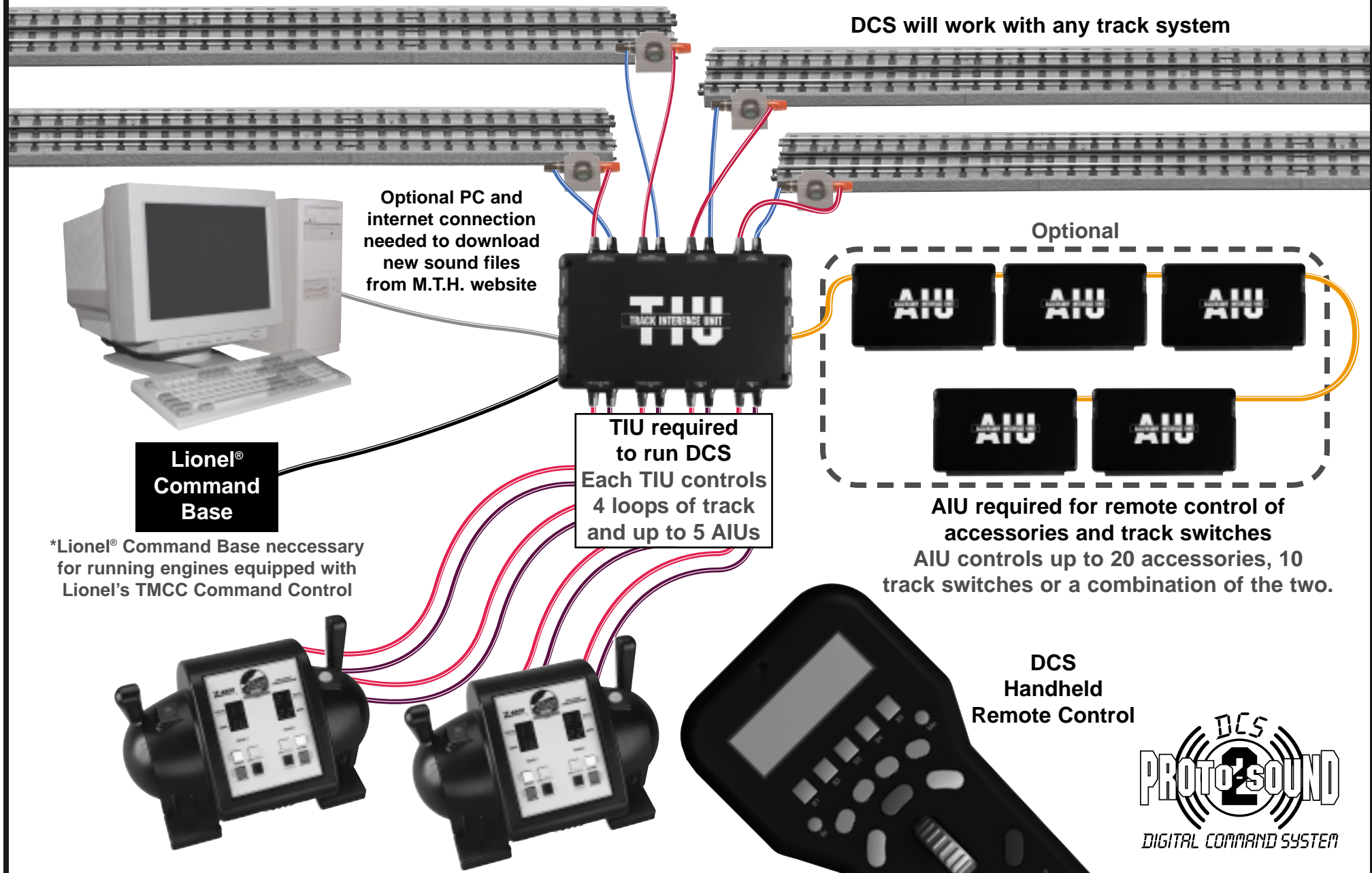


DIGITAL COMMAND SYSTEM (DCS) THE FIRST FULLY-COMPATIBLE SYSTEM IN 0 GAUGE RAILROADING



DCS will work with any track system

Optional PC and internet connection needed to download new sound files from M.T.H. website

Optional

**Lionel®
Command
Base**

TIU required to run DCS
Each TIU controls 4 loops of track and up to 5 AIUs

AIU required for remote control of accessories and track switches
AIU controls up to 20 accessories, 10 track switches or a combination of the two.

*Lionel® Command Base necessary for running engines equipped with Lionel's TMCC Command Control

**DCS
Handheld
Remote Control**

